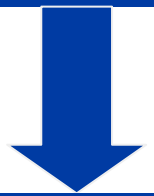
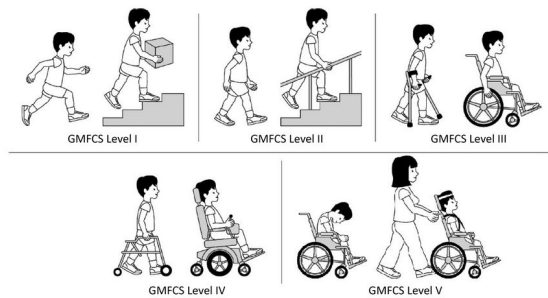


Background

\$3900+ USD
 Typical cost for assistive devices for level 4 and 5 individuals



Monica & Alison



<\$400 USD
 Our Target

Problem Statement

Alison and Monica are in need of a low-cost, adjustable and accessible seating device to provide them proper postural support in order to prevent further side effects that result from improper posture over long periods of time due to Cerebral Palsy.



Adjustable
 A device that can change as the user grows

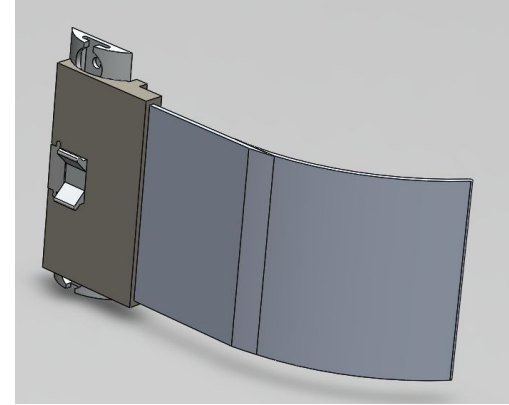
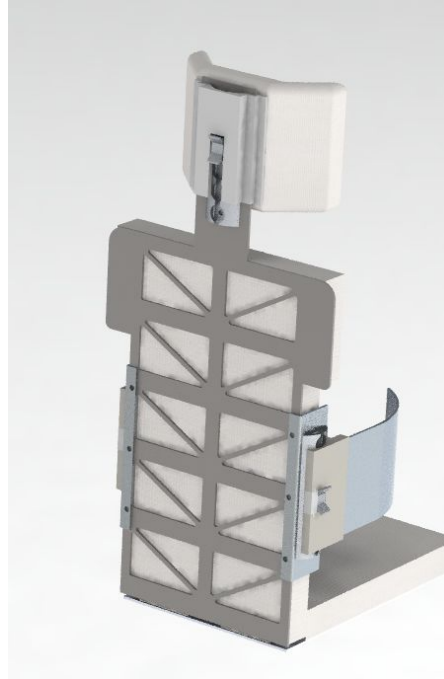


Accessible
 A device that can be used widely across the CP spectrum



Affordable
 A device where cost isn't a barrier to potential users

Design



\$167.95

Moving Forward



Assemble

- Complete the manufacturing of the physical prototype and prepare for verification and validation.



Analyze

- We will test the device using our quantifiable specifications.
- Determine overall design success.



Assess

- We will assess the position of our product.
- Does this have potential to scale?