

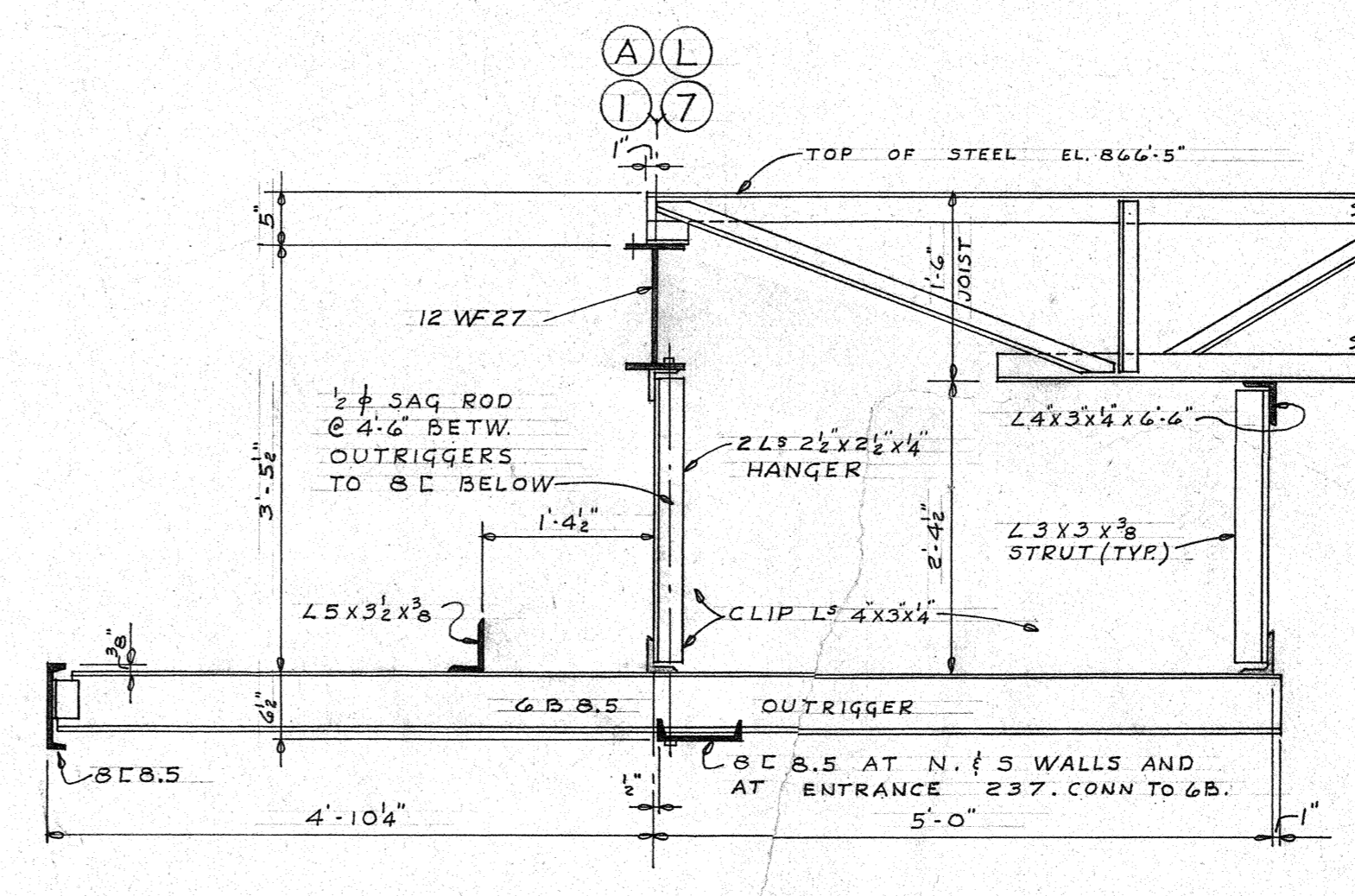
NOTE: TOP OF STEEL AT EL. 866'-5" UNLESS NOTED OTHERWISE MEASURED THUS (±) FROM SAME ELEV. PROVIDE 1/2" DEEP "D" GAGE STEEL DECK (EQUAL TO "MAHON QUAD-RIB") OVER ENTIRE ROOF. PROVIDE CLIP L 4x3x1/4" ON COLUMNS, EXTEND BOTTOM CHORD OF JOISTS & WELD TO SAME. FOR FURTHER DETAIL SEE ARCH. DWGS. (G.B. = G.B.B.S.U.N.)

ROOF FRAMING PLAN
SCALE: 1/8" = 1'-0"

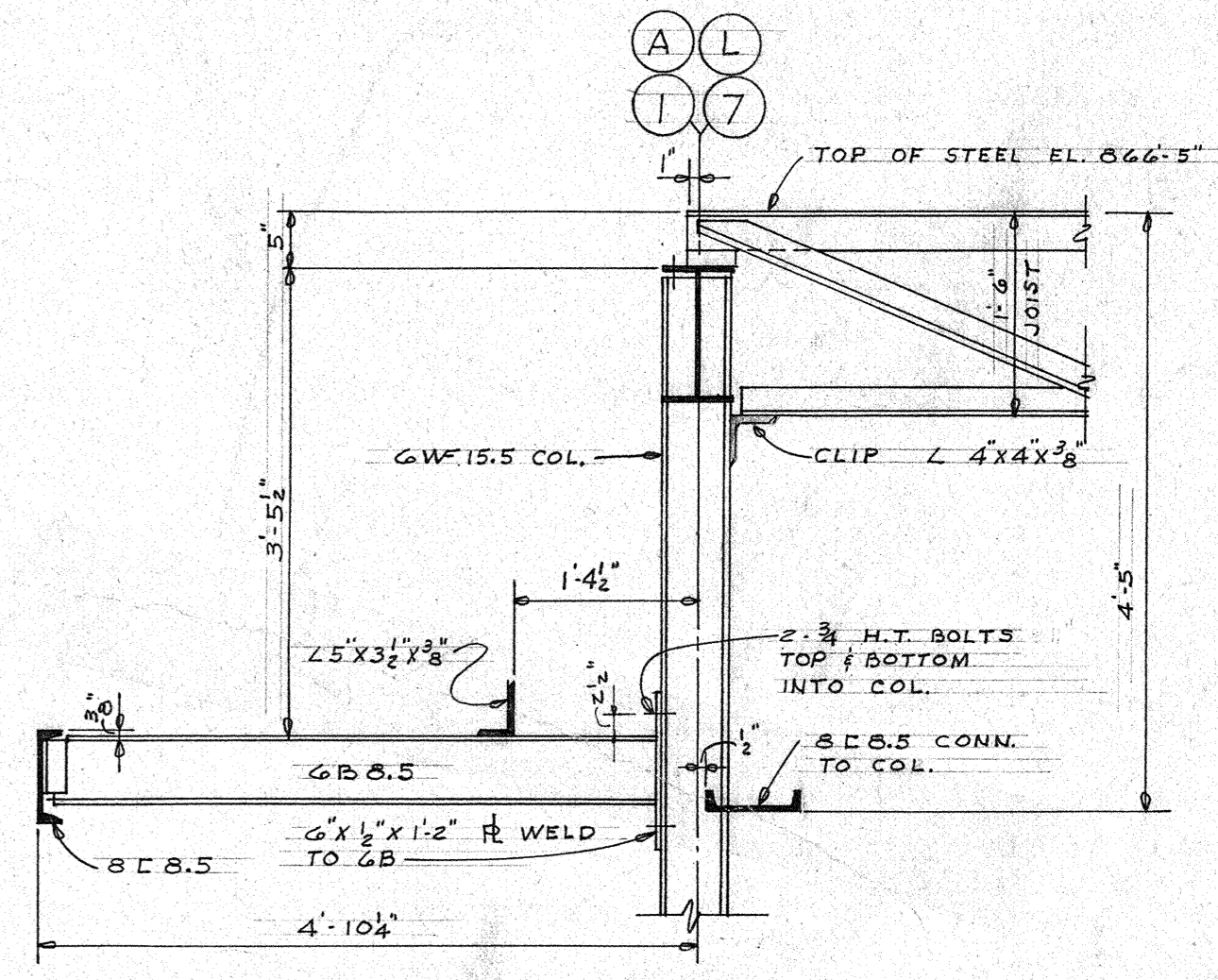
BORING NO.	1	2	3A	3	4	5
ELEVATION	EL. 844.6	EL. 844.9	EL. 845.5	EL. 845.5	EL. 845.6	EL. 844.8
EL. 850'-0"						
EL. 845'-0"	FIRM MOIST SANDY TOPSOIL	FIRM MOIST SANDY TOPSOIL	FIRM MOIST SANDY TOPSOIL	FIRM MOIST SANDY TOPSOIL	FIRM MOIST SANDY TOPSOIL	FIRM MOIST SANDY TOPSOIL
EL. 840'-0"	COMPACT MOIST MEDIUM BROWN SAND	STIFF MOIST DISCOLORED BROWN CLAY, HIGH SAND CONTENT, PEBBLES	FIRM MOIST SLIGHTLY MOIST MEDIUM SANDY BROWN CLAY, PEBBLES, HIGH SAND CONTENT	FIRM MOIST SANDY TOPSOIL	FIRM MOIST SANDY TOPSOIL	FIRM MOIST SANDY TOPSOIL
EL. 835'-0"	VERY COMPACT MOIST MEDIUM BROWN SAND, MEDIUM CLAY CONTENT, PEBBLES	VERY STIFF MOIST MEDIUM BROWN SAND, MEDIUM CLAY CONTENT, PEBBLES	EXTREMELY COMPACT MOIST MEDIUM BROWN SAND, MEDIUM CLAY CONTENT, PEBBLES	EXTREMELY COMPACT MOIST MEDIUM BROWN SAND, MEDIUM CLAY CONTENT, PEBBLES	EXTREMELY COMPACT MOIST MEDIUM BROWN SAND, MEDIUM CLAY CONTENT, PEBBLES	EXTREMELY COMPACT MOIST MEDIUM BROWN SAND, MEDIUM CLAY CONTENT, PEBBLES
EL. 830'-0"	EXTREMELY COMPACT MOIST FINE BROWN SAND	EXTREMELY COMPACT MOIST MEDIUM BROWN SAND, MEDIUM CLAY CONTENT, PEBBLES	EXTREMELY STIFF MOIST MEDIUM BROWN SAND, MEDIUM CLAY CONTENT, PEBBLES	EXTREMELY STIFF MOIST MEDIUM BROWN SAND, MEDIUM CLAY CONTENT, PEBBLES	EXTREMELY STIFF MOIST MEDIUM BROWN SAND, MEDIUM CLAY CONTENT, PEBBLES	EXTREMELY STIFF MOIST MEDIUM BROWN SAND, MEDIUM CLAY CONTENT, PEBBLES
EL. 825'-0"	VERY COMPACT MOIST MEDIUM BROWN SAND, SLIGHTLY CLAY CONTENT	EXTREMELY COMPACT MOIST MEDIUM BROWN SAND, MEDIUM CLAY CONTENT, PEBBLES	EXTREMELY STIFF MOIST MEDIUM BROWN SAND, MEDIUM CLAY CONTENT, PEBBLES	EXTREMELY STIFF MOIST MEDIUM BROWN SAND, MEDIUM CLAY CONTENT, PEBBLES	EXTREMELY STIFF MOIST MEDIUM BROWN SAND, MEDIUM CLAY CONTENT, PEBBLES	EXTREMELY STIFF MOIST MEDIUM BROWN SAND, MEDIUM CLAY CONTENT, PEBBLES
EL. 820'-0"	VERY COMPACT MOIST MEDIUM BROWN SAND, SLIGHTLY CLAY CONTENT	EXTREMELY COMPACT MOIST MEDIUM BROWN SAND, MEDIUM CLAY CONTENT, PEBBLES	EXTREMELY STIFF MOIST MEDIUM BROWN SAND, MEDIUM CLAY CONTENT, PEBBLES	EXTREMELY STIFF MOIST MEDIUM BROWN SAND, MEDIUM CLAY CONTENT, PEBBLES	EXTREMELY STIFF MOIST MEDIUM BROWN SAND, MEDIUM CLAY CONTENT, PEBBLES	EXTREMELY STIFF MOIST MEDIUM BROWN SAND, MEDIUM CLAY CONTENT, PEBBLES
EL. 815'-0"	EXTREMELY STIFF MOIST MEDIUM BROWN SAND, SLIGHTLY CLAY CONTENT	EXTREMELY COMPACT MOIST MEDIUM BROWN SAND, MEDIUM CLAY CONTENT, PEBBLES	EXTREMELY STIFF MOIST MEDIUM BROWN SAND, MEDIUM CLAY CONTENT, PEBBLES	EXTREMELY STIFF MOIST MEDIUM BROWN SAND, MEDIUM CLAY CONTENT, PEBBLES	EXTREMELY STIFF MOIST MEDIUM BROWN SAND, MEDIUM CLAY CONTENT, PEBBLES	EXTREMELY STIFF MOIST MEDIUM BROWN SAND, MEDIUM CLAY CONTENT, PEBBLES
EL. 810'-0"	EXTREMELY COMPACT MOIST MEDIUM BROWN SAND, SLIGHTLY CLAY CONTENT	EXTREMELY COMPACT MOIST MEDIUM BROWN SAND, MEDIUM CLAY CONTENT, PEBBLES	EXTREMELY STIFF MOIST MEDIUM BROWN SAND, MEDIUM CLAY CONTENT, PEBBLES	EXTREMELY STIFF MOIST MEDIUM BROWN SAND, MEDIUM CLAY CONTENT, PEBBLES	EXTREMELY STIFF MOIST MEDIUM BROWN SAND, MEDIUM CLAY CONTENT, PEBBLES	EXTREMELY STIFF MOIST MEDIUM BROWN SAND, MEDIUM CLAY CONTENT, PEBBLES

NOTE: DATA FROM MICHIGAN DRILLING CO. 2 & 3-66 VERY LIGHT GROUND WATER FOUND AS SHOWN IN 5, 8, 9, 10 & 11. NUMBERS INDICATE NUMBER OF BLOWS IN STD. PENETRATION TEST. SEE SHEET NO. G-1 FOR LOCATION OF SOIL BORINGS.

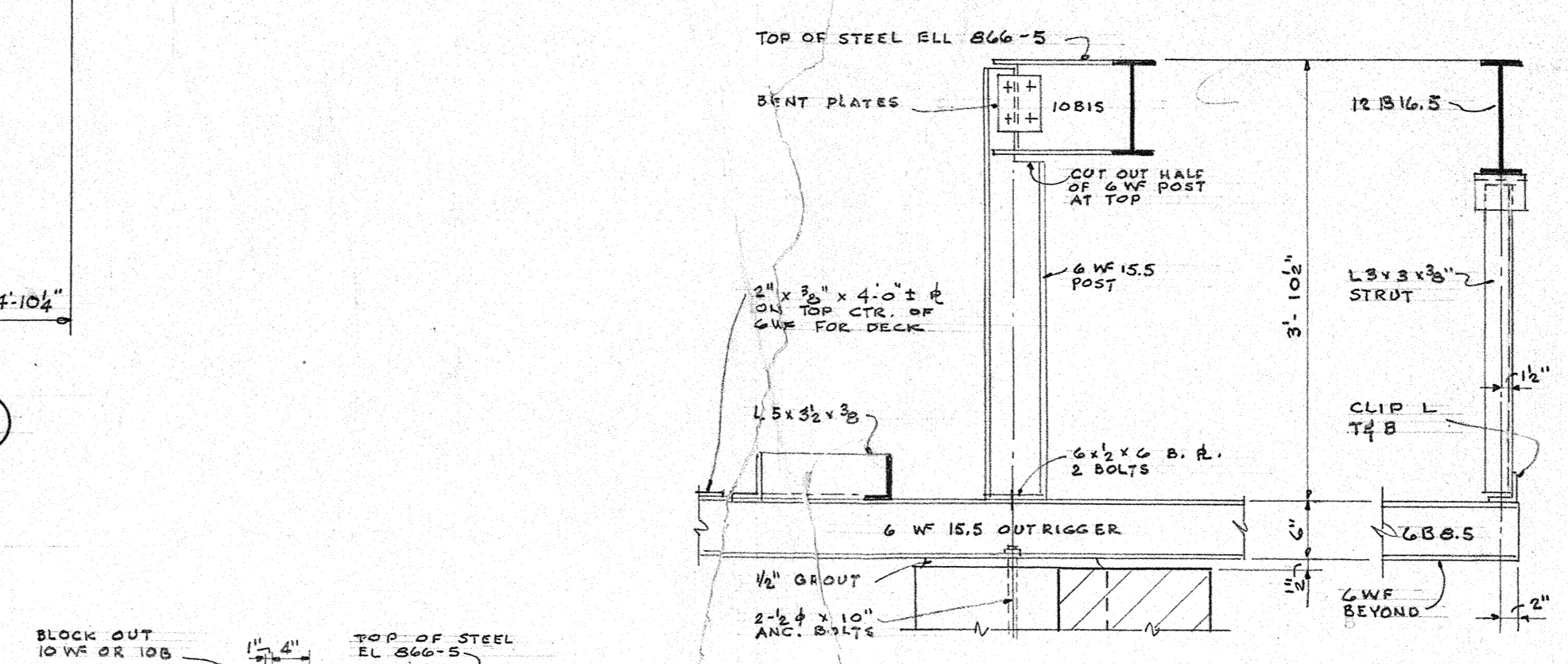
LOG OF SOIL BORINGS
VERT. SCALE 1/2" = 1'-0"



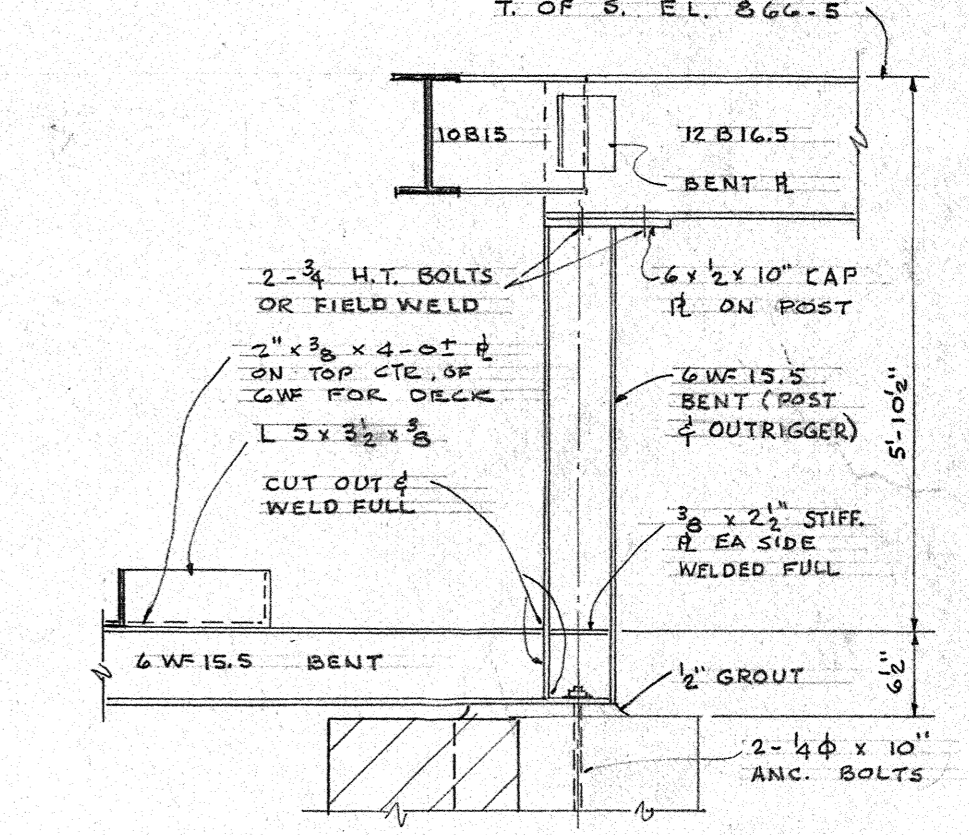
SECTION A-S3 (TYP. DETAIL, COL.)
SCALE: 3/4" = 1'-0"



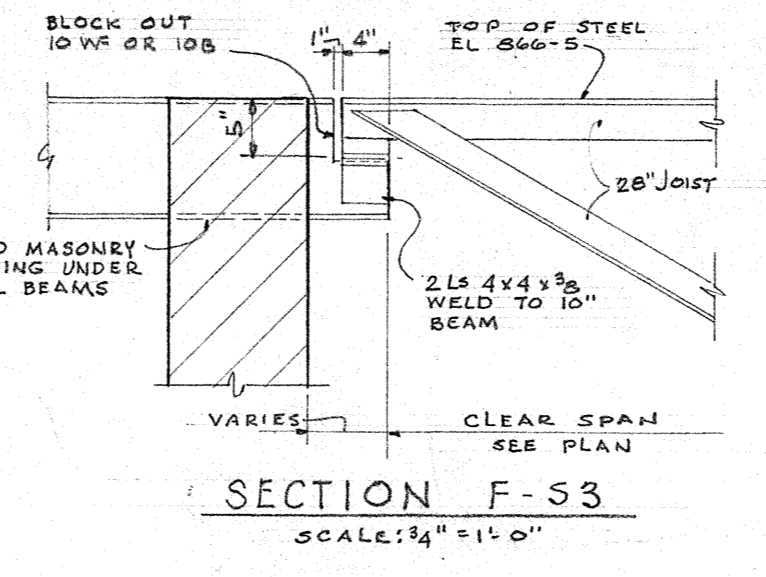
SECTION B-S3 (TYP. AT COL.)
SCALE: 3/4" = 1'-0"



SECTION D-S3
SEC. E-S3 OPP. HAND



SECTION C-S3



SECTION F-S3
SCALE: 1/4" = 1'-0"