



AIAA 2001-0427

**Rotary-Wing Aeroelasticity –
Current Status and Future Trends**

**Peretz P. Friedmann
François-Xavier Bagnoud Professor
Department of Aerospace Engineering
The University of Michigan
Ann Arbor, MI 48109-2140, USA**

**39th AIAA Aerospace Sciences
Meeting & Exhibit
8-11 January 2001 / Reno, NV**

Rotary-Wing Aeroelasticity - Current Status and Future Trends

Peretz P. Friedmann*
François-Xavier Bagnoud Professor
Department of Aerospace Engineering
The University of Michigan
Ann Arbor, MI 48109-2140, USA

Abstract

This paper is a sequel to an earlier survey paper on the same subject and it reviews the state-of-the-art in rotary-wing aeroelasticity by providing a fairly detailed examination of the research activity carried out during the last decade. The principal topics considered are: modeling of composite rotor blades; modeling the characteristics of elastomeric lag dampers; aeroelasticity of swept tip rotors; comprehensive helicopter analysis codes; aeroelastic characteristics of hingeless and bearingless rotors; modeling of unsteady aerodynamics and dynamic stall; aeroelastic and aeromechanical stabilization using active controls; and vibration reduction using active controls.

1 Introduction and Background

1.1 Concise Perspective and Previous Surveys

When reviewing research in rotary-wing aeroelasticity (RWA), it is important to mention a few historical facts. The Wright brothers flew in 1903, and Sikorsky built and started flying the first operational helicopter, the R-4 or (VS-316) in 1942. The R-4 was a three bladed helicopter with a rotor diameter of 11.6 m and was powered by a 185-hp engine. Thus, the initial gap between fixed-wing and rotary-wing technologies is approximately 39 years. Therefore, it is not surprising that certain rotary wing problems, particularly those pertaining to unsteady

aerodynamics, are still not well understood. This is also compounded by the complexity of the vehicle when compared to fixed-wing aircraft. RWA has been the most active area in aeroelasticity during the last three decades. This vigorous research activity has generated a considerable number of review papers and several books on this topic have been published during this period.

These review papers are described in chronological order so as to provide a historical perspective on this evolving field [16, 22, 28, 29, 30, 31, 32, 33, 47, 48, 61, 79, 82]. One of the first significant reviews of rotary-wing dynamic and aeroelastic problems was provided by Loewy [61], where a wide range of dynamic problems was reviewed in considerable detail. A more limited survey emphasizing the role of unsteady aerodynamics and vibration problems in forward flight was presented by Dat [22]. Two comprehensive reviews of rotary-wing aeroelasticity were presented by Friedmann [28, 29]. In Ref. [28], a detailed chronological discussion of the flap-lag and coupled flap-lag-torsion problems in hover and forward flight was presented, emphasizing the inherently nonlinear nature of the hingeless blade aeroelastic stability problem. The nonlinearities considered were geometrical nonlinearities due to moderate blade deflections. In Ref. [29], the role of unsteady aerodynamics, including dynamic stall, was examined, together with the treatment of nonlinear aeroelastic problems in forward flight. Finite element solutions to RWA problems were also considered, together with the treatment of coupled rotor-fuselage problems. Another detailed survey by Ormiston [79] discussed the aeroelasticity of hingeless and bearingless rotors, in hover, from an experimental and theoretical point of view.

It is important to mention that while aeroelastic stability plays an important role in the design of rotor systems, the aeroelastic response

*Fellow AIAA.

Copyright © 2001 by P.P. Friedmann. Published by the American Institute of Aeronautics and Astronautics, Inc. by permission.

problem as represented by the rotorcraft vibration and dynamic loads prediction, plays an even more critical role. Thus, two other surveys have dealt exclusively with vibration and its control in rotorcraft [62, 92]. These papers focus on the vibrations caused by the aeroelastic response of the rotor, and the study of various passive, semi-active and active devices for controlling such vibrations.

Johnson [47, 48] has published a comprehensive review paper addressing both aeroelastic stability and vibration problems for advanced rotor systems. In a sequel [30] to his previous review papers, Friedmann discussed the principal developments which have taken place between 1983-87, emphasizing new methods for formulating aeroelastic problems, advances in treatment of the aeroelastic problem in forward flight, coupled rotor-fuselage analyses, structural blade modeling, structural optimization, and the use of active control for vibration reduction and stability augmentation.

A comprehensive report [82] which contains a detailed review of the theoretical and experimental development in the aeroelastic and aeromechanical stability of helicopters and tilt-rotor aircraft, carried out under Army/NASA sponsorship during the period 1967-87 was prepared by Ormiston, Warmbrodt, Hodges and Peters. Somewhat later, key ideas and developments in four specific areas: (a) role of geometric nonlinearities in RWA, (b) structural modeling of composite blades, (c) coupled rotor-fuselage aeromechanical problems and their active control, and (d) higher harmonic control (HHC) for vibration reduction in rotorcraft, were considered by Friedmann [31]. At the same time, Chopra[16] surveyed the state-of-the-art in aeromechanical stability of helicopters, including pitch-flap, flap-lag, coupled flap-lag-torsion, air and ground resonance. Advances in aeromechanical analysis of bearingless, circulation controlled and composite rotors were also treated in this detailed paper. Perhaps the most comprehensive paper on RWA was written by Friedmann and Hodges [33]. This paper contains close to 350 references and dwells on all the important aspects of rotary-wing aeroelastic stability and responsive problems. The treatment is broad and comprehensive, and is current up to 1991. A partial review of some recent developments can also be found in Ref. [32].

In addition to the numerous papers dealing with the subject of this review, it should be also noted that this topic is also described in a number of books. Among these, the most notable one is Johnson's [46] monumental treatise on helicopter theory which contains extensive, detailed and useful ma-

terial on aerodynamic, dynamic and mathematical aspects of rotary-wing aerodynamics, dynamics and aeroelasticity. A more recent book [8] treats several aeroelastic and structural dynamic problems in rotorcraft. Quite recently, Leishman [57] has written an excellent book on helicopter aerodynamics, which contains good treatments of unsteady aerodynamics, rotor wake model, and dynamic stall.

1.2 Fundamental Differences Between Rotary-Wing and Fixed-Wing Aeroelasticity

The basic problem in fixed wing aeroelasticity is the coupled bending-torsion problem which is essentially a linear problem. The basic problem in rotary-wing aeroelasticity is the coupled flap-lag-torsion (CFLT) of an isolated blade. CFLT is inherently nonlinear because of the geometric nonlinearities associated with moderate (or large) blade deflections, that must be incorporated into the structural, inertia, and aerodynamic terms associated with this aeroelastic problem. A typical hingeless blade with an advanced geometry tip is shown in Fig. 1. The geometry associated with the basic CFLT problem is depicted in Fig. 2. It is important to note that for the RWA problem, coupling between bending out of the plane of rotation (flap), bending in the plane of rotation (lag) and torsion is critical, and neglect of one of these degrees of freedom may produce inaccurate and misleading results. Figure 2 shows the undeformed and deformed geometry, and cross-sectional positions.

Rotary-wing aeroelastic problems can be separated in two regimes: hover and forward flight. In hover, the equations of motion have constant coefficients, whereas in forward flight, the equations have periodic coefficients. The fundamentally nonlinear nature of RWA requires coupling between the aeroelastic problem and the flight condition of the entire helicopter as represented by its trim state. Two types of trim procedures, propulsive trim and wind-tunnel trim, have been used. The first trim procedure stimulates straight and level forward-flight conditions, as shown in Fig. 3, and the second trim procedure corresponds to the conditions experienced when testing the rotor on a support in the wind tunnel [29]. Aeroelastic stability boundaries can be obtained by linearizing equations of motion about the equilibrium position determined from a coupled trim-aeroelastic analysis. In hover, linear eigenanalysis is used to obtain the aeroelastic stability boundaries, and in forward flight, aeroelastic stability is usually determined from Floquet theory

[33].

The lead-lag degree of freedom, with its low aerodynamic and structural damping, is a critical degree of freedom in most rotary-wing aeroelastic problems. Another important class of problems is coupled rotor-fuselage aeroelastic problems, denoted aeromechanical problems. This problem involves coupling of the fuselage rigid body degrees of freedom (primarily pitch and roll) with the blade degrees of freedom (primarily lead-lag). The geometry depicting a typical coupled rotor-fuselage of a system is shown in Fig. 4. On the ground, the aeromechanical instability is called ground-resonance, and in flight it is known as air-resonance. It is interesting to note that while active flutter suppression has not been an area of concern in RWA, active suppression of aeromechanical instabilities has received considerable attention.

The aeroelastic response problem that manifests itself as blade loads, hub loads, or fuselage vibrations, plays a key role for rotary-wing vehicles, and, therefore, vibration prediction and its control has been an area of intense activity. Modeling unsteady aerodynamic loads on the blade and the rotor is a major challenge. The combination of blade advancing and rotational speed is a source of complexity. At large advance ratios, many different flow regimes coexist: transonic flow with shock waves on the advancing blade, and flow reversal and low-speed unsteady stall on the retreating blade. Time-varying unsteady wake geometry, which is an important source of unsteady loads, vibration, and noise, is excruciatingly complex. Computation of the unsteady free wake has been a major challenge, and it is essential for correct computation of vibrations and noise. Figure 5, taken from Ref. [111], depicts three free-wake calculations based upon three different free-wake models. Rotor-fuselage interactional aerodynamics is another difficult problem.

1.3 Objectives of this paper

This paper describes developments in RWA that have taken place during the last decade, thus it is intended to be a sequel to Ref. [33]. The paper will focus on both aeroelastic stability problems as well as the aeroelastic response problem by describing the principal research activities on the subjects listed below:

- Recent developments in the modeling of composite rotor blades undergoing moderate and large deformation and their incorporation in a variety of aeroelastic stability and response studies.

- Modeling of nonlinear elastomeric lag dampers and their influence on aeromechanical and aeroelastic stability problems.
- Aeroelastic behavior of swept tip rotors and correlation with experiments.
- Development and validation of comprehensive helicopter analysis codes, and the incorporation of multibody techniques in such codes.
- Relative aeroelastic characteristics of hingeless and bearingless rotors.
- Development of improved unsteady aerodynamic models, modeling of dynamic stall, and their incorporation in aeroelastic stability and response studies.
- Active control of aeroelastic stability and response (i.e. vibration) in rotorcraft.

It should be emphasized that not all the topics listed above are treated with the same level of detail. The scope of the treatment of any particular topic depends on the amount of research available as well as overall space allocations within this survey.

2 Composite Blade Models and Their Application

Structural dynamic and aeroelastic modeling of composite blades undergoing moderate or large deflections and their application to the study of hingeless, bearingless, and tilt-rotor blade aeroelasticity as well as coupled rotor-fuselage problems has been a particularly active area of research. Due to its importance, this research has also been addressed in several survey papers [33, 41, 52]. The principal conclusions from this body of research are summarized next. The most important requirements for modeling composite helicopter blades are the capability to represent transverse shear deformation, cross-sectional warping, and elastic coupling due to material anisotropy, in addition to an adequate representation of geometric nonlinearities. A most effective approach to modeling this complex beam problem is to split the basic three dimensional, geometrically nonlinear elasticity problem into two separate problems: (1) a geometrically nonlinear, one-dimensional problem of a beam in the spanwise direction, and (2) a two-dimensional linear elastic problem from which the warping and the cross-sectional properties at any spanwise station are determined. This two stage approach was intuitively used by Kosmatka

and Friedmann [55]. A rigorous foundation for this approach was established by Atilgan and Hodges [2] using an asymptotic analysis. Later this approach was further refined by Cesnik, Sutyryn and Hodges [14, 15]. Finally, this approach was generalized, leading to a general cross-sectional modeling technique [12], which is linked by a variational formulation to the one-dimensional beam theory. The authors denote this approach by the term, "dimensional reduction".

The composite blade theories that are currently available can be separated into three groups:

- (a) Theories that are based on dimensional reduction of the basic three dimensional elasticity problem using a variational asymptotic method. In these theories, the spanwise beam problem is capable of handling large deformations and small strains. A separate finite element analysis is used to obtain the cross-sectional properties and the appropriate warping representation. The finite element cross-sectional analysis is capable of representing arbitrary cross-sections, with anisotropic material properties, and a variety of wall thicknesses [2, 12, 14, 15, 43].
- (b) Theories based on ad-hoc decoupling between the geometrically nonlinear, spanwise one dimensional beam theory, combined with a finite element cross-sectional analysis to determine the cross-sectional constants and warping. In these theories, the assumption of moderate blade deflections, based on an ordering scheme, is often used to simplify the spanwise one-dimensional beam model. The cross-sectional analysis is still capable of modeling anisotropic, arbitrary cross-sections, with multicell construction and various wall thicknesses. This cross-sectional analysis is usually linear [45, 55, 121, 122, 124].
- (c) Theories combining assumptions on thin walled, single cell or two-cell, composite cross-sections, with a moderate deflection type of one-dimensional beam theory. In these theories, shear is included and different types of warping functions can also be included. These theories usually provide useful and good approximations, however, they do not have the accuracy, generality, and logical appeal of either (a) or (b) type of theories [91, 99, 100, 101, 102, 114].

The composite blade models discussed above have been used for a variety of applications. A representative, but incomplete, list of such applications is provided next:

- (1) Determination of composite coupling coefficients, twist and deformation for composite beams or blades, for which experimental data is available [12, 26, 42, 43, 100].
- (2) Free vibration analysis of rotating composite blades [26, 43, 121].
- (3) Aeroelastic behavior of composite hingeless and bearingless rotor blades in hover and forward flight [36, 37, 99, 114, 121, 122, 123, 124].
- (4) Air and ground resonance of helicopters with elastically tailored composite blades [101].
- (5) Tilt-rotor aeroelastic stability and response with elastically-coupled composite rotor blades [4, 78, 104, 105].

Some results taken from [124] are shown here to illustrate the effect of composite blade construction on the aeroelastic stability of a typical composite hingeless helicopter blade in hover and forward flight. The fundamental, coupled rotating natural frequencies of the blade in lag, flap and torsion, respectively are $\omega_{L1} = 0.765$; $\omega_{F1} = 1.096$; and $\omega_{T1} = 3.356$, when the ply orientation is zero. The four bladed hingeless rotor operates at a average weight coefficient $C_W = 0.005$, and a Lock number of $\gamma = 5.0$, with solidity $\sigma = 0.076$.

The undeformed element coordinate system for the swept-tip composite blade is shown in Fig. 6. The blade model belongs to category (b) described earlier in this section. The finite element nodal degrees of freedom for the spanwise, moderate deflection beam model are shown in Fig. 7. The two cell composite cross-section which is analyzed by a separate finite element cross-sectional analysis is depicted in Fig. 8. Stability of the lag degree of freedom is illustrated in Fig. 9. Usually this is the degree of freedom which tends to become unstable in hover. The effect of the composite construction is illustrated for a straight blade where the ply angle Λ_v in the middle vertical and the inner half of the rear vertical wall are changed between $-90 < \Lambda_v < 90$. As evident from the real part of this root locus plot, the change in ply angle can influence blade stability (i.e. damping) substantially in both a beneficial and detrimental manner. However, it is insufficient to destabilize the blade. The imaginary part of the plot shows the changes in the frequency of the aeroelastic lag mode as a result of changes in ply orientation. Numerous results can be found in Ref. [124] where it is shown that combination of ply orientation and tip-sweep can slightly destabilize the blade in hover. Figure 10 shows the

effect of ply orientation on hingeless blade stability in forward flight, at an advance ratio of $\mu = 0.30$. For forward flight stability, information is extracted from the linearized perturbation equations about the coupled trim-aeroelastic response in forward flight, using Floquet theory [29]. The real part of the characteristic exponent, is an indicator of the damping in the lag degree of freedom. Again, the ply angle Λ_v is varied between $-90 < \Lambda_v < 90$. While damping levels change substantially, ply orientation is not sufficient to destabilize the blade for this particular case. Other results from Ref. [124] indicate that blade response and loads can be changed significantly by changing ply orientation.

These results, and similar results obtained in the various studies mentioned in this section clearly indicate that composite blade construction has considerable potential for aeroelastic tailoring leading to enhanced blade stability and reduced vibratory loading in the rotor. However, this remarkable potential has not been exploited by the helicopter manufacturers. While most modern helicopter blades are built of composites, the primary reason for the composite construction of these blades is their excellent fatigue characteristics, which result in unlimited blade life. Thus, composite blades have a large advantage over the older metal blades, that had to be replaced after a few thousand hours of operation.

3 Modeling of Elastomeric Lag Dampers and their Incorporation in Aeroelastic Analyses

The effect of lag dampers on aeroelastic and aeromechanical stability of hingeless and bearingless rotored helicopters has always been an important area of endeavor. During the last decade, important advances in this area have been made. The most important recent developments have focused on the analytical and experimental modeling of the nonlinear properties of elastomeric lag dampers [9, 38, 39, 56, 81, 97, 98].

The body of research in this area consists of two different approaches. Gandhi and Chopra [38, 39] have developed a nonlinear elastomeric damper model, based on a combination of linear and nonlinear springs and dashpots. The damper is characterized by a nonlinear constitutive differential equation. This approach is capable of capturing, partially, the viscoelastic, hysteretic, energy dissipating properties of elastomeric lag dampers, as well

as dependence on operating conditions and steady-state lag angles. The damper model is incorporated in the ground resonance problem of an articulated rotor, and in the air resonance problem of a hingeless rotor, in hover. The blades have only flap and lag degrees of freedom, the fuselage has pitch and roll, and the damper states are appended to the equations of motion. The results show that modeling of the dampers is important for stability prediction. However, the paper [38] makes no attempt to connect the damper model with any real elastomeric damper, that is in actual use. Subsequently, in [39], a slightly improved model of the damper was incorporated in an aeroelastic and aeromechanical analysis of a three bladed bearingless rotor in forward flight. Both shaft fixed and shaft free aeroelastic behavior is examined, and the role of the damper is found to be important. However, the damper and its behavior is not associated with any real elastomeric damper used in rotorcraft.

A much more fundamental and comprehensive approach to the modeling of nonlinear lag dampers is presented in Refs. [9, 97, 98]. In the first of these two studies, a nonlinear anelastic displacement field (ADF) damper model, based on accurate three-dimensional material modeling and irreversible thermodynamics, was developed from basic principles. Material nonlinearities are introduced by nonlinear functions that describe the dependence of the unrelaxed and relaxed material moduli and the anelastic strain rate, on the instantaneous total and anelastic strains. The parameters that characterize the nonlinear material behavior are identified through harmonic strain controlled experimental tests. Nonlinear finite element equations are obtained in terms of the resulting ADF parameters.

In the second paper [97] for a simplified case, corresponding to pure shear behavior, two coupled partial differential equations are obtained: one describes motion and the second governs creep evolution in time. The parameters required for the model implementation are obtained from suitable material characterization tests. Damper behavior is modeled by a finite element method, and combined with a three degree of freedom offset hinged, spring restrained blade model, as shown in Fig. 11. Nonlinear lag damper equations are coupled with the blade equations and are solved simultaneously. Nonlinear equations are linearized about the steady state response solution. Blade stability in forward flight is obtained from Floquet theory. The silicon rubber damper was modeled with a single finite element. The nonlinear behavior of the elastomeric damper has a significant effect on lag mode stabil-

ity in hover and forward flight. Damper response in forward flight depends on blade loading and advance ratio. A good indicator of the success of this model to predict the hysteretic behavior of lag dampers is illustrated by Fig. 12. This figure shows the nondimensional lag damper force versus lag angle for several advance ratios, $\mu = 0; 0.05; 0.20$ and 0.40 , for fixed blade loading. The static lag angle decreases initially from hover to a minimum at an advance ratio of 0.20 , and subsequently it increases. Dynamic amplitudes increase steadily with advance ratio. Note that the ADF damper model predicts substantial variations in the area and aspect ratio of damper hysteresis loops with advance ratio. The $\mu = 0.40$ loop displays the characteristic asymmetry shown by elastomeric materials undergoing harmonic excitation with a static bias.

In a more recent sequel to this study [9], the model was extended to include friction type elements. These elements consist of friction-damping and linear-spring elements which are added in parallel to the original ADF model. The new model represents a substantial improvement over the basic ADF model, described previously in this section. Thus, the peak error between predicted and experimentally determined material complex moduli was reduced from 72% to 18% for the storage modulus, and from 90% to 10% for the loss modulus. This model clearly represents a very substantial improvement over its predecessor, and it is the best model of its kind available.

4 Aeroelastic Behavior of Swept Tip Rotors

Rotor blades with swept tips, which imply both sweep and anhedral of the blade tip region, shown in Fig. 1, experience bending-torsion and bending-axial coupling effects due to sweep and anhedral. Swept tips influence blade dynamics because they are located at regions of high dynamic pressure and relatively large elastic displacements. Swept tips enhance rotor performance, and are effective for reducing aerodynamic noise and blade vibrations. Most modern helicopter blades have swept tips, which sometimes are also denoted by the term advanced geometry tips. Therefore the study of aeroelastic behavior of rotor blades with advanced geometry tips has received considerable attention during the past decade [26, 54, 63, 64, 113, 121, 122, 123, 124]. In Ref. [54], isotropic swept tip rotors with advanced geometry tips have been treated. Moderate deflection beam theory is coupled with unsteady transonic

small disturbance theory (TSD) to calculate the unsteady transonic flow, three dimensional effects and shock waves on the advancing blade tips. The time history of the angle of attack distributions, obtained from the rotor dynamic code, is used as input to the finite difference TSD code. The non uniform inflow distribution over the rotor disk is calculated using a free wake model. The coupling between the various analyses is carried out in a somewhat ad-hoc manner, which causes the results to be suitable primarily for response calculations, and thus blade stability was not considered.

The aeroelastic behavior of swept tip composite blades was considered in a number of detailed studies [121, 122, 123, 124]. The principal objective of these studies was the development of a practical, efficient structural dynamic model for swept tip rotor blades undergoing moderate deflections. Subsequently, the model was used to determine the effect of tip sweep and composite blade construction on the aerodynamic stability of swept tip rotor blades in hover and forward flight. Aeroelastic blade response and blade loads, in forward flight were also considered in these studies. The principal goal of these studies was the examination of the structural coupling effects. Therefore, the aerodynamic loads used were based upon quasisteady Greenberg theory combined with uniform inflow. Unsteady loads were formulated using a general implicit formulation [11] which permitted the replacement of these loads by compressible unsteady loads combined with a free-wake analysis in studies which were conducted later [23, 24]. Results obtained in these studies [121, 122, 123, 124] show that combinations of tip sweep and composite constructions can substantially affect both blade stability, response and loads.

The aeroelastic stability of straight and swept tip rotor blades in hover and forward flight was studied both experimentally and analytically in two recent comprehensive papers [63, 64]. Two Mach-scaled rotors, with a diameter of 7.5 ft, having both straight and swept tip blades, were tested in hover and forward flight. The purpose of the tests was to provide hover and forward flight data for comparison with analytical models. Data from the tests was compared with calculations from a comprehensive rotor code, CAMRAD II [50, 51]. Correlations between test and calculations for regressing lag mode damping are shown in Fig. 13 of Ref. [64]. The correlation between theory and experiment is very good. The aerodynamic loads were calculated with three different inflow models: no dynamic inflow, Pit Peters dynamic inflow, and momentum theory dynamic inflow. The differences due to these inflow

models are small.

For forward flight, the correlation between the test results for regressing lag mode damping and the experimental data is not as good as in hover as evident from Fig. 14, taken from Ref. [64]. The addition of dynamic inflow increases the damping, thus the results without dynamic inflow are closer to the experimental data. Subsequently in Ref. [63], sensitivity studies, using parameter variations in aerodynamic center, center of gravity, blade mass, torque offsets, etc. were conducted. With these parameter variations, modest improvements between theory and test results for the swept tip rotors in forward flight were obtained.

The studies considered in this section indicate that the accurate modeling of aeroelastic stability and response of swept tip rotors still represents a challenge, and good correlations with experimental data are not easily achieved.

5 Development and Validation of Comprehensive Helicopter Analysis Codes

The development and validation of comprehensive helicopter analysis codes such as CAMRAD II [50, 51], 2GCHAS [1, 59, 60, 68, 81, 93, 108], RDYNE [103], COPTER [20], UMARC [18] and CAMRAD/JA [49] has been another topic that has received considerable attention. Among these codes, the two most advanced, CAMRAD II and 2GCHAS, have taken advantage of multibody dynamics that facilitate the effective treatment of complex configurations [7, 44, 94].

Among the various comprehensive helicopter analysis codes, CAMRAD II is perhaps the most widely used, both in the U.S. as well as Europe and Japan. The code has been more successful than its competitors in correlating with experimental data. The 2GCHAS code has also undergone considerable validation during the last five years and overall the correlations indicate generally satisfactory predictive capability for a fairly wide range of rotorcraft problems. It is expected that in the near future, versions of this code that are capable of running on a PC will become available.

The UMARC code developed at the University of Maryland has also enjoyed considerable success, as students who graduated have taken the code with them and started using it in an industrial setting.

6 Aeroelastic Characteristics of Hingeless and Bearingless Rotors

During the last three decades, the helicopter industry in the U.S. and abroad has invested a very substantial amount of resources in the development of production hingeless and bearingless rotor systems. Hingeless rotored helicopters, such as the MBB BO-105, and the Westland Lynx have been in production for almost 25 years. However, successful bearingless rotored helicopters have gone into production only during the last decade. Typical examples are the MD-900 Explorer [96], the Comanche bearingless main rotor (BMR) [83], the Eurocopter EC135 [53], it is also interesting to note that the MD900 and the Comanche have five bladed rotors, while the EC135 is four bladed. This is an indication that BMR technology has matured in the last decade, and substantial gains in the understanding of aeroelastic and aeromechanical aspects of these rotors have been made. It is also fair to say that the improved understanding of hingeless rotor behavior has made significant contributions toward improved understanding of BMR's. This section highlights research carried out during the last decade that has contributed towards the fundamental understanding of hingeless and bearingless rotor aeroelastic behavior.

A number of theoretical studies dealing with the physical coupling mechanism present in hingeless rotored helicopters air and ground resonance in hover [80] and forward flight [67] have clarified the coupling mechanism between body and blade modes, and the effect of forward flight on air resonance. An aeroelastic analysis methodology for BMR helicopters in hover and forward flight was developed by Gandhi and Chopra [40]. The approach correlated reasonably well with shaft-fixed hover stability data obtained in tests, and then it was used to predict shaft-free stability in forward flight. These theoretical studies were useful, however work done by the helicopter industry, which is discussed next, reveals in a more comprehensive manner, the advances made in the dynamic design of hingeless and bearingless rotor systems.

An insightful study by Weller [117] provides a comparison of the aeromechanical stability characteristics, in hover, for two models of conventionally designed soft-in-plane main rotors. One model is a bearingless configuration, simulating the Bell helicopter M680 main rotor. The second model is a hingeless rotor similar to the MBB BO-105 main rotor. The purpose of the paper was to compare

the test data obtained from the two models, identify their respective aeromechanical stability characteristics, and determine the design features that have a primary effect on the air and ground resonance behavior *in hover*.

To understand better the relative aeroelastic characteristics of hingeless versus BMR's, illustrations describing their operation are relevant. The geometry of a typical hingeless rotor was depicted in Fig. 1. The bearingless rotor with an elastomeric damper is more complicated, and is shown in Fig. 15, taken from Ref. [83]. In a bearingless rotor, each blade is connected to the hub center by a flexural arm called a flexbeam, which bends in lag, flap and twists by undergoing torsional deformation. The flexbeam usually has an inboard portion that establishes a virtual lap hinge, while the outboard portion is shaped so as to yield a torsionally soft region for relatively large control inputs. A structurally stiff external cuff encloses the flexbeam and transmits control inputs to the blade that are applied by the pitch link. The cuff is bolted to the blade and the flexbeam at its outboard end, as shown in Fig. 15. At the inboard end of the cuff, a shear-restraint mechanism, called a snubber, connects the cuff to the flexbeam. The shear restraint transmits both flapwise and lagwise shears from the cuff to the flexure. The snubber housing contains elastomeric shear pads that are used to augment structural damping in the lead-lag or inplane direction, and thus this combination is called an elastomeric lag damper, also shown in Fig. 15. To further clarify the operation of the bearingless hub and damper combination, consider Fig. 16 taken from Ref. [53]. The top portion of Fig. 16 is the view of the blade from the top, and the bottom part is a section through the flexbeam, damper and control (right part) as well as a section through the damper (left side).

The mechanism whereby the inplane bending of the flexbeam in lead-lag, produces displacement and damping is illustrated by Fig. 17, also from Ref. [53]. Figure 17 shows the displacement between the cuff and flexbeam at the location of the damper due to inplane bending as well as the lead-lag damping that is produced. It is also important to note that the shear stiffness of the damper depends on material and geometrical properties, environmental conditions (temperature), axial loads, as well as displacement amplitudes. Finally it should be mentioned that the cuff flexbeam combination represents a structural element with a redundant load path, that has to be modeled carefully [6].

In Ref. [117], two Froude-scaled models, one hingeless and one bearingless were tested. While the

paper does not explicitly state the scale used, a comparison of the model radius with the MBB BO-105 blade radius, reveals that it is a 1:4 scale version of the production rotor, and it is reasonable to assume that the bearingless rotor was scaled in the same manner. The rotors were tested on the Advanced Rotorcraft Experimental Dynamics (ARED) system, which can provide body pitch and roll degrees of freedom. The rotors were extensively tested in both low and high thrust condition. The results obtained indicate that the hingeless rotor concept offers better stability margins at moderate to high thrust conditions due to its aeroelastic characteristics, thus the hingeless rotor is more stable at 1g thrust and above. For low thrust conditions, however, the bearingless rotor is better because of its larger structural damping due to the elastomeric lag damper. In these comparisons, it is also important to keep in mind that the hingeless rotor had no lag damper, and its damping was from its inherent structural damping.

In a sequel [118] to this study [117] Weller conducted a very careful experimental examination of a somewhat larger model BMR with a diameter of 9.37 ft. The BMR used in [117] had a diameter of 7.95 ft. This was also a four-bladed rotor, with an elastomeric lag damper similar to that considered earlier [117]. The following parameters were changed during the test: fundamental flap frequency, blade built in cone and sweep angles, pitch link inclination, flexbeam prepitch and shear restraint to flexure attachment. The extensive results show, that modest changes in these parameters provided only very minor improvements in the aeromechanical stability margins. The two studies mentioned [117, 118] contain a large amount of valuable experimental data, but almost no correlation with analytical models is provided.

An outstanding study is Ref. [83] which describes in detail the aeroelastic stability wind tunnel testing of the Comanche BMR and the correlations with an analytical model. This BMR configuration is depicted in Fig. 15. A series of wind tunnel tests were performed on a 1/6 Froude-scaled model of the RAH-66 Comanche BMR at the Boeing V/STOL wind tunnel. The tests had two objectives: (a) establish the aeromechanical stability characteristics of the coupled rotor-fuselage system, and (b) correlate the experimental data with analytical stability predictions so that the methodology can be used with confidence for the full-scale aircraft. An initial test of the rotor with elastomeric dampers, shown in Fig. 15, uncovered a limit cycle instability. This instability manifested itself for the minimum

flight weight configuration. Figure 18, taken from Ref. [83], depicts the frequency and damping of the coupled rotor-body system with elastomeric snubber/dampers. The presence of the body degrees of freedom and their coupling with the blade degrees of freedom modifies significantly the dynamic characteristics compared to the isolated rotor case. A frequency coalescence between the lag regressing and the flap regressing-body roll mode now exists. Near this coalescence, the damping is low, and a limit cycle oscillation occurs at the regressing lag frequency. Closer examination of this nonlinear problem, presented in the paper [83] revealed that this problem may also be present when flying with the prototype flight weight. A decision was made to replace the elastomeric snubber/damper by a Fluidlastic[®] snubber/damper, that is also shown in Fig. 15. The Fluidlastic[®] snubber/damper is similar to the elastomeric dampers except that it includes a chamber within the flat elements which is filled with silicone fluid to provide the blade lead-lag damping. As the elastomeric elements that constitute the wall of the chamber flex in shear, the fluid is forced to flow around a rigid diverter protruding into the fluid, thereby generating a damping force.

Further study revealed that nonlinearities in the stiffness and loss factor of the elastomeric snubber/dampers were the cause of this limit cycle behavior. As shown in Ref. [83], the stiffness of the Fluidlastic[®] damper is nearly linear, and using it eliminates the limit cycle instability. Figure 19 shows the hover air response characteristics of the prototype flight weight configuration with the Fluidlastic[®] dampers at 9 degree collective. The test data for both frequency and damping are also compared with analytical results obtained from the UMARC/B code, which is a Boeing modified version of UMARC [18]. The correlations between the results for the code in both hover and forward flight are quite good.

The aeromechanical design aspects of another production BMR that is flying on the European EC135 are described in Ref. [53]. The feature of this BMR equipped with an elastomeric lag damper are shown in Fig. 16. This rotor has excellent damping margins throughout its operation envelope. Modal damping for this rotor in level flight, is shown in Fig. 20. The dots are from the flight test and the solid line is the result of a calculation performed by CAMRAD II. The agreement between theory and test are good. The damping amounts to approximately 2.5% in the rotating system.

It is remarkable that all three production BMR systems have been developed during the last

decade. This clearly indicates that the state-of-the-art of BMR aeroelastic design has made substantial advances in this period.

7 Improved Unsteady Aerodynamic Models and Modeling of Dynamic Stall

The accurate representation of the unsteady aerodynamic loading environment on rotorcraft plays a critical role in the prediction of aeroelastic stability and response. The representation of the nonlinear structural portion as well as the inertial loading for the rotary-wing aeroelastic problem can be done accurately by using finite elements and multi-body techniques. However, the prediction of the unsteady aerodynamic environment, presents a major challenge, and in some cases large errors in the calculation of the unsteady aerodynamic loads cannot be avoided. When dealing with the unsteady aerodynamic loads, it is convenient to distinguish between two separate cases: approximate unsteady aerodynamic models for attached flow and dynamic stall models. These topics together with their application to the rotary-wing aeroelastic problem are discussed next.

7.1 Approximate Unsteady Aerodynamic Models and Their Application to Aeroelastic Problems

An useful unsteady aerodynamic model that provides approximate unsteady aerodynamic loads in the time domain was developed by Peters and his associates [86, 87]. The finite state inflow model is an approximate theory that provides global rotor-disk downwash under unsteady flight conditions, and it is different from airfoil theory which produces local downwash. The finite state inflow theory is an exact representation of the three dimensional incompressible potential flow equations of the wake. The wake is assumed to be a cylinder in hover and a skewed cylinder in forward flight. However, the model also incorporates the most important effect of wake contraction. Detailed descriptions of this theory can also be found in Refs. [84, 85]. This theory has been employed in several aeroelastic stability studies in hover and forward flight.

A typical application of this theory to the aeroelastic stability of composite rotor blades *in hover* can be found in Ref. [95] which integrates

geometrically-exact nonlinear beam theory and the generalized dynamic wake theory within a finite element framework. The theory is applied to several examples, including limited correlation with experimental data.

In another study [77], the three dimensional finite-state wake model [84] is applied to hingeless-rotor aeromechanical stability in hover and forward flight. A very interesting aspect of this study is the correlation with experimental data for an aeromechanical stability problem in which the regressing lag mode, couples with fuselage roll to produce an instability. Figure 21, taken from Ref. [77], shows the regressing-lag mode damping as a function of rotor speed (RPM). The dots are the experimental data, the solid line is for $M = 1$, which represents an earlier version of this theory [90], and the dashed line corresponds to the three-dimensional finite-state wake model with 9 harmonic wake components ($M = 9$). Clearly, for this particular case, there is practically no difference between the finite-state wake model and dynamic inflow. It is also important to note that the good correlation between the theory and the experimental data evident for the regressing lag mode, is not replicated by the other modes, as can be seen by examining the other results in this study. However, in all the cases considered, there is practically no difference between the results based on dynamic inflow and those based on finite-state wake theory with 9 harmonics.

Another, related, interesting study conducted recently [110] attempts to enhance the efficiency of the finite state wake model by using aerodynamic eigenmodes to develop reduced order models for rotorcraft. This technique, pioneered by Dowell, has proven itself quite effective for fixed wing and turbomachinery flows. The study concluded that the finite-state wake model is very compact, and its effectiveness can not be enhanced by reduced order modeling.

One of the shortcomings of the finite state wake model is its inability to model blade vortex interaction (BVI) which is an important source of rotor vibratory loads at lower advance ratios. To model BVI effects, free wake models, similar to those depicted in Fig. 5 are required. An efficient rotor free-wake model was developed by Bagai and Leishman [3]. This wake model has been incorporated into the UMARC code and has been used in numerous studies since then.

Another new and useful approximate unsteady aerodynamic theory that was developed to model two-dimensional, compressible loads for an airfoil/flap combination in unsteady free-stream is

presented in Refs. [74, 76]. Aerodynamic loads are obtained in the frequency domain for an airfoil/flap combination using the doublet-lattice method. Subsequently, the loads are approximated in the frequency domain as rational functions of the Laplace variable using a least squares fit to the unsteady aerodynamic loads. Transformation to the time domain yields a state space model for the unsteady aerodynamic loads. An important feature of this approximate unsteady aerodynamic model is its ability to model the hinge moment on actively controlled flaps used for vibration reduction, which are discussed later in this paper.

7.2 Dynamic Stall and Its Incorporation into Aeroelastic Analyses

Dynamic stall is a strongly nonlinear unsteady aerodynamic effect which plays a major role in aeroelastic stability and response calculations. This topic is reviewed in detail in a new book by Leishman [57], in Chapter 9. Dynamic stall is associated with the retreating blade and borders on the reversed flow region, as shown in Fig. 22. For such conditions, the angle of attack of the blade cross-section can be very large. Although the torsional response of the blade is relatively low under normal conditions, at the flight envelope boundary, where dynamic stall effects are pronounced, large transient-torsional excursion may be excited, accompanied by low negative damping in pitch. This, in turn, generated excessive control and blade vibratory loads, which impose speed and load limitations on the rotor as a whole. It can also cause stall flutter. Due to its importance, dynamic stall has been the subject of a large number of studies which have led to an improved understanding of this complex aerodynamic effect [29, 30, 33]. Dynamic stall is usually incorporated in rotary-wing aeroelastic analysis using semi-empirical models. These models have a number of common features. They are intended to incorporate two-dimensional, nonlinear, airfoil unsteady aerodynamic effects in analytical studies in the time domain, and they are suitable for stepwise numerical integration in time. The semi-empirical nature of the model is due to a number of free parameters that are determined by fitting the theoretical expressions to the experimental data, obtained from oscillating airfoil tests.

During the last two decades, two primary semi-empirical dynamic stall models have emerged.

- (1) The ONERA dynamic stall model, which de-

scribes the unsteady airfoil behavior in both attached flow and during dynamic stall using a set of nonlinear differential equations. Since its initial derivation in 1984, the model has undergone revisions and improvement. The most recent version of this model was documented by Petot [88]. The coefficients in the equations of this model are determined by parameter identification from experimental measurements on oscillating airfoils. The model requires 22 empirical coefficients. Figure 23 shows typical hysteretic lift and moment coefficients computed with the ONERA dynamic stall model, for a NACA 0012 airfoil, at $M = 0.379$, $k = 0.075$, and time varying angle of attack $\alpha = 10.3 + 8.1 \sin \omega t$. A more recent version of this model was improved by Truong [115]. The improvement contains a Hopf bifurcation model and some three-dimensional corrections, it requires 18 coefficients, however, it has some oscillatory problems, and has been used less than the previous versions.

- (2) The Leishman-Beddoes model [58] is capable of representing the unsteady lift, pitching moment, and drag characteristics of an airfoil undergoing dynamic stall. This model consists of three distinct components: (a) an attached flow model for the unsteady linear airloads, (b) a separated flow model for the nonlinear airloads, and (c) a dynamic stall model for the leading-edge vortex induced airloads. The model contains a rigorous representation of compressibility in the attached flow part of the model, using compressible indicial response functions. The treatment of nonlinear aerodynamic effects associated with separated flows are derived from the Kirchoff-Helmholtz model to define an effective separation point that can be generalized empirically. The model uses relatively few empirical constants, with all but four derived from static airfoil data [57]. This model is also undergoing continuous improvement. The most recent one was introduced in Ref. [116]. This dynamic stall model has been embedded in the 2GCHAS [93] as well as the UMARC [18] codes.

The dynamic stall models described briefly above have been used in a number of aeroelastic stability and response studies. The ONERA dynamic stall model has been employed in several aeroelastic stability studies. In Ref. [5], the effect of dynamic stall on isolated blade flap-lag stability is considered. The nonlinear equations of blade motion of a hingeless rotor modeled as the offset hinged spring re-

strained blade model, with coupled flap-lag dynamics for each blade, is combined with the dynamic stall model. The nonlinear equations of blade motion are perturbed about a periodic forced response, and the damping is evaluated by Floquet eigenanalysis. The damping is correlated with experimental data, and the correlation is not very satisfactory. The reason for this discrepancy is probably due to the fact that perturbation of the equations in the presence of dynamic stall is a questionable approach. A more effective approach would have been to integrate the equations of motion in the time domain, and extract the damping information from the response curves for the appropriate rotor degrees of freedom. In a sequel to this study, presented in Ref. [19], the authors consider a hingeless rotor with fully coupled flap-lag-torsional dynamics (2 mode representation for each degree of freedom) and the aerodynamic loads are obtained by a combining the ONERA dynamic stall model with a finite state wake model. The correlation between analysis and test is fair. Figure 24, taken from this study, depicts the influence of different levels of aerodynamic modeling: (a) blade element theory with quasisteady stall, (b) the same theory but with dynamic stall, and (c) dynamic stall and finite state wake theory. The figure shows the lag damping for a three bladed hingeless rotor at two shaft angles α_s , over the advance ratio range $0 < \mu < 0.60$, and a collective pitch setting of $\theta_0 = 3$. Figure 24(a) shows the rotor operating at low thrust, all three models are reasonably close to experimental data. Figure 24(b) depicts a large negative shaft angle $\alpha_s = -16$, and damping decreases with advance ratio. This is a low-thrust case and dynamic stall and static stall theories are close. Dynamic stall and the wake model improve the agreement at low μ ($\mu < 0.20$), however, these theories fail to predict the loss of damping at the higher advance ratio. It appears that the reason for this discrepancy is similar to that mentioned for the earlier study.

Aeroelastic stability studies involving the Leishman dynamic stall model were conducted by Torok and Chopra [112]. It was noted that the effect of flow separation and dynamic stall on rotor-lag damping in high speed flight is quite significant.

Finally it should be mentioned that recently a European study group has completed a monumental report which compares several up-to-date dynamic stall models, in their ability to predict rotor behavior in the presence of dynamic stall [89]. Seven different stall models were compared in this study, and the predictions were compared with detailed measurements conducted on a model rotor in a wind tunnel.

The study has identified three-dimensional phenomena as being significant. Clearly, this effect is beyond the reach of present two-dimensional semi-empirical models. This effect produces an unexpected increase in lift and moment at $0.7R$ blade span. The authors speculate that progress in computational aerodynamics, as applied to rotors, might lead to a *qualitative* explanation of these phenomena.

8 Active Control of Aeroelastic Stability and Response (i.e. Vibration) in Rotorcraft

The desire to develop rotorcraft having a "jet smooth" ride has shifted the emphasis in the area of vibration alleviation (i.e. reduction of aeroelastic response) from traditional passive means of vibration reduction such as vibration absorbers and isolators to active control strategies [34]. Stringent requirements on vibration levels strive for vertical accelerations below 0.05g at most fuselage locations. These requirements imply that helicopter manufacturers may be willing to tolerate the expense associated with an active control system that operates in the rotating frame, i.e. the rotor. Once such a control system is present, it can also be used for additional objectives such as noise reduction, performance enhancements and stabilization of aeroelastic phenomena. This section summarizes and highlights recent accomplishments in two areas, stabilization of aeroelastic and aeromechanical phenomena and vibration reduction in rotorcraft using active controls.

8.1 Stabilization of Aeromechanical and Aeroelastic Phenomena by Active Controls

Some of the previous research in this area has been reviewed and discussed in Ref. [33]. One of the most comprehensive studies on air resonance suppression, in hover and forward flight, using blade pitch control was carried out by Takahashi and Friedmann [109]. The model consisted of a coupled rotor-fuselage system representing a four bladed hingeless rotor attached to a rigid fuselage, as depicted in Fig. 4, with pitch and roll degrees of freedom. The controller operated through a conventional swash plate that introduced the same pitch input to all the blades. The controller design was based on an optimal state estimator combined with optimal feedback gains. Optimal loop shapes were designed using the loop

transfer recovery approach. The outcome of this design process resulted in a simple controller that used a *single roll rate measurement* in the body (non-rotating frame), and suppressed air resonance by using a sine and a cosine swashplate input. The controller was shown to stabilize the system throughout a wide range of loading conditions and forward flight speeds, with pitch inputs of 3 or less.

More recently, Weller [119] conducted an experimental program to demonstrate the benefits of applying active rotor control techniques to improve the aeromechanical stability characteristics of a bearingless main rotor (BMR) model. This model of the BMR was identical to that tested earlier [118]. Apparently the author was unaware of the analytical work done earlier in this field [109]. He also seemed reluctant to use modern control techniques, and much of this work was done either experimentally or by using an electrohydraulic simulator. Pitch and roll velocities and accelerations were measured and transformed into pylon position and velocity information which was fed back using a fixed-gain relationship to produce cyclic swash plate commands θ_c and θ_s so as to increase the damping of the aeromechanical problem. Results indicate the pylon position feedback could increase damping by 1%, at most. However, destabilizing trends at high thrust were present. Pylon velocity feedback was superior to position feedback, and the destabilizing trends were reduced. This result is entirely consistent with the findings of Ref. [109]. Thus, it illustrates that experimental trial and error approaches to active control, without analytical simulation and the physical understanding it produces lead to less than effective research.

Finally, it is important to note that air resonance, which is an aeromechanical instability, is a mild instability as opposed to flutter which is an explosive instability. Stabilizing flutter in rotorcraft using active control has not been considered seriously because it may be impractical.

Recently, Celi [10] has written an interesting paper on stabilization of a blade with a severed pitch link, using a trailing edge flap. This paper is on the boundary between aeroelasticity and reconfigurable controls. This problem is shown in Fig. 25, the failure of the pitch link causes the blade to be free floating and uncontrollable. It is shown in the paper, that the trailing edge flap is capable of correcting the catastrophic consequences of the pitch link failure by trimming the blade, through an optimization based trim procedure. Unfortunately, flap deflection of 18-22 degrees are required, and actuation power requirements were not considered in the paper.

8.2 Vibration Reduction in Rotorcraft

As mentioned earlier, vibration reduction in rotorcraft is essentially the control of the aeroelastic response problem. Active control approaches to rotorcraft vibration reduction are perceived to be a requirement so that rotorcraft can experience vibration levels comparable to fixed-wing transport aircraft. During the last 25 years, several approaches to active vibration control in rotorcraft have emerged [34]. The first approach developed was higher harmonic control (HHC). The controller applies pitch inputs through a conventional swashplate. All blades experience the same inputs, and the vibratory aerodynamic loads are modified at their source, before they propagate into the fuselage. An alternative is individual blade control (IBC), where time varying pitch is introduced directly in the rotating reference frame. The IBC can be implemented using several approaches. One can oscillate each blade in pitch by actuating it at the root, this approach was used initially, in this approach the entire blade is oscillated. Alternatively, a small partial span trailing edge flap, shown in Fig. 26, can be actuated on the blade, this approach is sometimes called the actively controlled flap (ACF). Another approach twists the entire blade by embedding piezoelectric fibers, this approach is known as the active twist rotor (ATR), and the blade structure is shown schematically in Fig. 27. All the approaches mentioned control vibrations in the rotating frame. An alternative approach sometimes known as active control of structural response (ACSR) controls vibrations in the fuselage, or the fixed frame, as illustrated in Fig. 28. In this approach, stiff actuators introduce small amplitude excitation between the rotor and the fuselage, such that the sum of the response of the airframe at specified locations, due to rotor loads and the excitation due to controls, is reduced to a minimum.

It is important to note that among these approaches, only the ACSR system is actually installed on a production helicopter, the EH101, built by a European partnership between Westland and Agusta. All the other systems have been tested in wind tunnels. The HHC approach and IBC scheme with root actuation have been flight tested [34], while the ACF will be flight tested at the end of this year (2001) on a MD-900 Explorer.

The strong interest in active vibration control in rotorcraft has resulted in a large number of papers on this topic during the last decade, and to do justice to this topic would require a separate survey paper. Thus, only a limited number of papers will

be described in this section.

Among the various active control approaches, IBC implemented by the actively controlled flap appears to be the most promising concept. Furthermore, the ACF has also considerable potential for noise reduction and performance enhancement. A number of recent studies have established the remarkable potential of the ACF for vibration reduction using a flexible blade model, similar to that shown in Fig. 26, with coupled flap-lag-torsional dynamics and modified Theodorsen aerodynamics which include the effect of time-varying free stream [69, 70, 71, 72]. Milgram and Chopra [66] have developed an analytical simulation incorporating an unsteady compressible aerodynamic model. The aeroelastic model was developed using the comprehensive analysis code UMARC. Experimental results from wind tunnel tests of the ACF were also presented [106].

The need for an improved aeroelastic simulation model for the flap-blade combination led to the development of a new and improved model based on a compressible time domain unsteady aerodynamic model. This simulation capability could accommodate three different flap configurations, and also dual flaps. Detailed vibration reduction studies from this model were presented in Refs. [73, 74, 75].

Subsequently, this model was improved by adding a free-wake model to the time domain unsteady compressible theory [23, 24]. The resulting comprehensive simulation model facilitated the examination of two distinctly different flight regimes in which vibrations are reduced using the ACF. A high speed flight, where advance ratio effects are dominant and the influence of the free wake is limited, and low and moderate advance ratio regimes where blade vortex interactions (BVI) are important.

It is also important to mention that in this time period, very valuable experimental results on the practical implementation of the ACF and its application to fundamental vibration reduction in the open loop mode, on a Mach scaled two bladed rotor, were reported by Fulton and Ormiston [35]. The availability of these results permitted a comparison between the comprehensive simulation developed [24] and the experimental data obtained by Fulton and Ormiston [35]. To illustrate the vibration reduction capability of the actively controlled flap and the reliability of the simulation model, some typical results obtained in Ref. [24, 25] are presented next.

The results are presented for a four bladed hingeless rotor. Figure 29 shows the baseline and controlled vibratory hub shears and moments, with

compressible unsteady aerodynamics (referred to as RFA aerodynamics) and a free wake model, at an advance ratio $\mu = 0.15$ where BVI is important. Figure 30 depicts similar results at a higher advance ratio $\mu = 0.30$. Two important observations are relevant: (1) the vibratory loads in the presence of BVI are approximately four times higher than those at $\mu = 0.30$, and (2) while the actively controlled flap is quite effective in reducing vibrations at both advance ratios, its performance in the presence of BVI is not as good as in the higher advance ratio regime.

Figure 31 depicts the flap deflections required for vibration reduction at these two advance ratios, the maximum flap deflection required for the alleviation of BVI effects can exceed 15 degrees. Thus, BVI vibration alleviation is more demanding than vibrations at high speed.

All the results presented were for a flap operating in the closed loop mode using a control law described in Ref. [24, 25].

The simulation capability used here was also validated by comparing with experimental data obtained by [35] for the open-loop operation of the flap, and the correlation in most cases is quite good.

Numerous other studies on vibration reduction using actively controlled flaps were carried out recently [17, 65, 107]. In many cases, the implementation of the ACF is accomplished using actuators built from active materials, such as piezoelectric materials or magnetostrictive materials [17]. Such materials are limited in their force and stroke producing capability. Therefore, there is considerable concern whether such materials are adequate for implementing the ACF for full scale configurations. Fortunately, an electromagnetic actuator for individual blade control has been recently developed [27]. The electromagnetic actuator is combined with a trailing-edge control surface, called the HeliflapTM, which is suitable for active rotor control applications. The device is rugged, compact with no external linkages and no moving parts except the flap itself, and has excellent force, deflection, frequency characteristics, and good power and thermal dissipation characteristics. The amplitude and frequency are controlled by modulation of the electrical current to the actuators. It was bench tested and whirl tested on a full-scale OH-58 rotor at 81% operating RPM and low collective. Flap deflections of ± 6 degrees at frequencies of 4.4/rev were achieved. This device appears to be quite promising, its force and stroke producing capability is much higher than that provided by active materials based actuation. If the electromagnetic actuator performs as planned, it could replace adaptive materials based actuation

for helicopter rotor control applications.

Another successful combination between individual blade control and adaptive materials based actuation is the ATR shown in Fig. 27, which was developed jointly by MIT, the Army and NASA Langley Research Center [13, 120]. The first of these studies describes the aeroelastic modeling of the ATR using a simple flap-torsion model of the active twist blade, which is intended for approximate studies, and is implemented in a code called PETRA. The results are compared with results from CAMRAD II. The vibration results based on CAMRAD II predicted large vibrations in the 4/rev vertical hub shear, for less than 2 degrees maximum thrust. The second paper describes the correlation between the structural dynamic model developed for the ATR blade, bench tests, and rotating tests. The prediction of the blade torsional load in hover is within 20%.

There was also considerable activity in vibration reduction in the fixed system, namely the fuselage, using active control. A very comprehensive study of vibration reduction using ACSR, employing a sophisticated simulation model was completed by Cribbs and Friedmann [21]. This study was the first to use rotor fuselage interactional aerodynamics, combined with a free wake model, and a three dimensional finite element model of the fuselage. Several control algorithms were tested, and excellent vibration reduction was demonstrated in the simulations.

9 Concluding Remarks and Future Trends

9.1 Concluding Remarks

The research activity in RWA during the last decade has been vigorous and innovative, and it is the most active research area in aeroelasticity. This is quite impressive when one realizes that rotary wing vehicles represent 4-6% of the total aerospace business. While some of the problems in rotorcraft aeroelasticity and aeromechanics have existed for a considerable amount of time, good fundamental understanding and reliable solutions are often obtained slowly and with considerable difficulty. The most important milestones during this period have been:

- The development of three new helicopters with bearingless main rotors, two in production (EC135, MD-900) and one (Comanche) on the verge of production.

- Development of methods based on first principles, for characterizing elastomeric lag dampers.
- Development of reliable techniques for modeling of composite main rotor blades with advanced geometry tips.
- Development of effective active control methods for vibration reduction in rotorcraft, and in particular, the approach based on the actively controlled trailing edge flap.

9.2 Future Trends

Despite the perception that exists in some circles that RWA is mature, and new areas whose description is characterized by fashionable collections of current buzzwords are more important, the author predicts that RWA and aeromechanics will continue to prosper because a number of fundamental problems are still not understood and are not amenable to reliable computer simulations. The need to build better rotorcraft with low vibration levels, low noise and enhanced performance will continue to motivate researchers in RWA and aeromechanics to develop innovative approaches for the solution of these problems.

An area that is critical for both RWA as well as for the design of better rotorcraft is development of good coupling methods between finite element based structural dynamic models of blades and computational fluid mechanics for rotors. This relatively new field known as computational aeroelasticity [32] is in its infancy for fixed wing vehicles, and has received very little attention in RWA. Development of this field can have major payoffs in the prediction of rotor loading, which has been a weakness in rotorcraft design. Much work has been done on rotorcraft vibration reduction using adaptive materials based actuation. However, if the electromagnetically actuated flap [27] lives up to its potential, it will supplant the adaptive materials based actuation as the best approach for actuating the ACF. This will facilitate the development of active rotors, with dual trailing edge flaps, that may be used for vibration reduction, noise alleviation and performance enhancement.

Persistent research on the simulation of dynamic stall by direct solution of the Navier-Stokes equations, has the potential for replacing semi-empirical two-dimensional dynamic stall models, by three-dimensional models based on basic principles. Such a simulation capability will also lay the groundwork for developing active methods for controlling dynamic stall. However, achieving some of these objectives may take 5-10 years, since solution of these

problems in a short time frame is not feasible.

Development of new configurations, of small unmanned rotorcraft could provide the impetus for innovative designs and concepts. Scaling issues in the design of such vehicles could also be very important.

References

- [1] Anon., *2GCHAS Theory Manual*, U.S. Aeroflightdynamics Directorate, ATCOM, TM 93-A-004, 1993.
- [2] Atilgan, A.R and Hodges, D.H., "Unified Nonlinear Analysis for Nonhomogeneous Anisotropic Beams with Closed Cross-Section," *AIAA Journal*, Vol. 29, No. 11, November 1991, pp. 1990 – 1999.
- [3] Bagai, A., and Leishman, J.G., "Rotor Free-Wake Modeling Using a Pseudo-Implicit Technique-Including Comparisons with Experimental Data," *Journal of the American Helicopter Society*, Vol. 40, No. 3, July 1995, pp. 29 – 41.
- [4] Barkai, S.M., and Rand, O., "The Influence of Composite Induced Couplings on Tiltrotor Whirl Flutter Stability," *Journal of The American Helicopter Society*, Vol. 43, No. 2, April 1998, pp. 133 – 145.
- [5] Barwey, D., Gaonkar, G.H., and Ormiston, R.A., "Investigation of Dynamic Stall Effects on Isolated Rotor Flap-Lag Stability with Experimental Correlation," *Journal of the American Helicopter Society*, Vol. 36, No. 4, October 1991, pp. 12 – 24.
- [6] Bauchau, O.A., and Chiang, W., "Dynamic Analysis of Rotor Flexbeams Based on Nonlinear Anisotropic Shell Models," *Journal of The American Helicopter Society*, Vol. 38, No. 1, January 1993, pp. 55 – 61.
- [7] Bauchau, O.A., and Kang, N.K., "A Multi-body Formulation for Helicopter Structural Dynamic Analysis," *Journal of the American Helicopter Society*, Vol. 38, No. 2, April 1993, pp. 3 – 14.
- [8] Bielawa, R.L., *Rotary-Wing Aeroelasticity and Structural Dynamics*, AIAA Education Series, AIAA, 1992.

- [9] Brackbill, C.R., Lesieutre, G.A., Smith, E.C., and Ruhl, L.E., "Characterization and Modeling of Low Strain Amplitude and Frequency Dependent Behavior of Elastomeric Damper Materials," *Journal of The American Helicopter Society*, Vol. 45, No. 1, January 2000, pp. 34-42.
- [10] Celi, R., "Stabilization of a Blade with a Severed Pitch Link Using a Trailing Edge Flap," Paper G.18, *Proceedings of the 25th European Rotorcraft Forum*, Rome, Italy, September 14-16 1999.
- [11] Celi, R. and Friedmann, P.P., "Rotor Blade Aeroelasticity in Forward Flight With an Implicit Aerodynamic Formulation," *AIAA Journal*, Vol. 26, No. 5, May 1988, pp. 1425 - 1433.
- [12] Cesnik, C.E.S., and Hodges, D.H., "VABS: A New Concept for Composite Rotor Blade Cross-Sectional Modeling," *Journal of the American Helicopter Society*, Vol. 42, No. 1, January 1997, pp. 27 - 38.
- [13] Cesnik, C.E.S., Shin, S., Wilbur, M.L., and Wilkie, W.K., "Design and Testing of the NASA/Army/MIT Active Twist Prototype Blade," *Proceedings of the 26th European Rotorcraft Forum*, The Hague, The Netherlands, September 26-29 2000, pp. 17.1 - 17.11.
- [14] Cesnik, C.E.S., Sutyryn, V.G., and Hodges, D.H., "Refined Theory of Twisted and Curved Composite Beams: The Role of Short-Wavelength Extrapolation," *International Journal of Solids and Structures*, Vol. 33, No. 10, No. 10, 1996, pp. 1387 - 1408.
- [15] Cesnik, C.E.S., Sutyryn, Y.G., and Hodges, D.H., "A Refined Composite Beam Theory Based on the Variational-Asymptotical Method," AIAA Paper 93-1616, *34th AIAA/ASME/ASCE/AHS/ASC Structures, Structural Dynamics, and Materials Conference*, April 19-22 1993, pp. 2710 - 2720, La Jolla, CA.
- [16] Chopra, I., "Perspectives in Aeromechanical Stability of Helicopter Rotors," *Vertica*, Vol. 14, No. 4, No. 4, 1990, pp. 457 - 508.
- [17] Chopra, I., "Status of Application of Smart Structures Technology to Rotorcraft Systems," *Journal of The American Helicopter Society*, Vol. 45, No. 4, October 2000, pp. 228 - 252.
- [18] Chopra, I., and Bir, G., "University of Maryland Advanced Rotor Code:UMARC," *Proceedings of AHS Aeromechanics Specialists Conference on Aerodynamics, Acoustics and Dynamics*, San Francisco, CA, Jan. 19-21 1994.
- [19] Chundurur, S.J., Subramanian, S., and Gaonkar, G.H., "Dynamic Stall and Wake Effects on Trim and Stability of Hingeless Rotors With Experimental Correlation," *Journal of The American Helicopter Society*, Vol. 42, No. 4, October 1997, pp. 370 - 382.
- [20] Corrigan, J.J., "Computational of Loads During Maneuvering Flight Using a Comprehensive Rotorcraft Code," *Proceedings of 2nd International Aeromechanics Specialists' Conference*, Bridgeport, CT, October 11-13 1995, pp. 2.44 - 2.64.
- [21] Cribbs, R. and Friedmann, P.P., "Vibration Reduction in Rotorcraft Using an Enhanced ACSR Model," AIAA Paper No. 2000-1687, *Proceedings of the AIAA/ASME/ASCE/AHS/ASC 41st Structures, Structural Dynamics and Materials Conference*, Atlanta, GA, April 3-6 2000.
- [22] Dat, R., *Aeroelasticity of Rotary Wing Aircraft in Helicopter Aerodynamics and Dynamics*, Vol. 63, Agard Lecture Series, 1973, Ch. 4.
- [23] de Terlizzi, M. and Friedmann, P.P., "Aeroelastic Response of Swept-Tip Rotors Including the Effects of BVI," *Proceedings of the 54th Annual Form of the American Helicopter Society*, Washington, DC, May 1998, pp. 644 - 663.
- [24] de Terlizzi, M. and Friedmann, P.P., "Active Control of BVI Induced Vibrations Using a Refined Aerodynamic Model and Experimental Correlation," *Proceedings of the 55th Annual Forum of the American Helicopter Society*, Montreal, Quebec, Canada, May 25-27 1999.
- [25] de Terlizzi, M. and Friedmann, P.P., "Active Control of Vibrations due to BVI and Experimental Correlation," *Proceedings of the 25th European Rotorcraft Forum*, Rome, Italy, September 14-16 1999, pp. G6.1 - G6.16.
- [26] Epps, J.J., and Chandra, R., "The Natural Frequencies of Rotating Beams with Tip Sweep," *Journal of The American Helicopter*

- Society*, Vol. 41, No. 1, January 1996, pp. 29 – 36.
- [27] Fink, D.A., Hawkey, T.J., Gadreau, P.J., Wellman, B., and Ormiston, R.A., “An Electromagnetic Actuator for Individual Blade Control,” *Proceedings of the 56th Annual Forum of the American Helicopter Society*, Virginia Beach, VA, May 2-4 2000.
- [28] Friedmann, P.P., “Recent Development in Rotary-Wing Aeroelasticity,” *Journal of Aircraft*, Vol. 14, No. 11, 1977, pp. 1027 – 1041.
- [29] Friedmann, P.P., “Formulation and Solution of Rotary-Wing Aeroelastic Stability and Response Problems,” *Vertica*, Vol. 7, No. 2, No. 2, 1983, pp. 101 – 141.
- [30] Friedmann, P.P., “Recent Trends in Rotary-Wing Aeroelasticity,” *Vertica*, Vol. 11, No. 1/2, No. 1/2, 1987, pp. 139–170.
- [31] Friedmann, P.P., “Helicopter Rotor Dynamics and Aeroelasticity: Some Key Ideas and Insights,” *Vertica*, Vol. 14, No. 1, No. 1, 1990, pp. 101 – 121.
- [32] Friedmann, P.P., “Renaissance of Aeroelasticity and Its Future,” *Journal of Aircraft*, Vol. 36, No. 1, January-February 1999, pp. 105 – 121.
- [33] Friedmann, P.P., and Hodges, D.A., “Rotary-Wing Aeroelasticity with Application to VTOL Vehicles,” *Flight Vehicles, Materials, Structures, and Dynamics-Assessment and Future Directions*, Noor, A.K. and Veneri, S.L., Eds., Vol. 5, New York, ASME, 1993, Ch. 6, pp. 299 – 391.
- [34] Friedmann, P.P., and Millott, T.A., “Vibration Reduction in Rotorcraft Using Active Control: A Comparison of Various Approaches,” *AIAA Journal of Guidance, Control and Dynamics*, Vol. 18, No. 4, July-August 1995, pp. 664 – 673.
- [35] Fulton, M. and Ormiston, R.A., “Small-Scale Rotor Experiments with On-Blade Elevons to Reduce Blade Vibratory Loads in Forward Flight,” *Proceedings of the 54th Annual Forum of the American Helicopter Society*, Washington, DC, May 20-22 1998, pp. 433 – 451.
- [36] Fulton, M.V., and Hodges, D.H., “Aeroelastic Stability of Composite Hingeless Rotor Blades in Hover: Part I: Theory,” *Mathematical and Computer Modeling*, Vol. 18, No. 3/4, August 1993, pp. 1 – 18.
- [37] Fulton, M.V., and Hodges, D.H., “Aeroelastic Stability of Composite Hingeless Rotor Blades in Hover: Part I: Results,” *Mathematical and Computer Modeling*, Vol. 18, No. 3/4, August 1993, pp. 19 – 36.
- [38] Gandhi, F., and Chopra, I., “An Analytical Model for a Nonlinear Elastomeric Lag Damper and Its Effect on Aeromechanical Stability in Hover,” *Journal of the American Helicopter Society*, Vol. 39, No. 4, October 1994, pp. 59 – 69.
- [39] Gandhi, F., and Chopra, I., “Analysis of Bearingless Main Rotor Aeroelasticity Using an Improved Time Domain Nonlinear Elastomeric Damper Model,” *Journal of the American Helicopter Society*, Vol. 41, No. 3, July 1996, pp. 267 – 277.
- [40] Gandhi, F., and Chopra, I., “An Aeroelastic Analysis Methodology for Bearingless Main Rotor Helicopters,” *Journal of The American Helicopter Society*, Vol. 43, No. 1, January 1998, pp. 66 – 75.
- [41] Hodges, D.H., “A Review of Composite Rotor Blade Modeling,” *AIAA Journal*, Vol. 28, No. 3, No. 3, 1990, pp. 561 – 565.
- [42] Hodges, D.H., Atilgan, A.R., Fulton, M.V., and Rehfield, L.W., “Free-Vibration Analysis of Composite Beams,” *Journal of The American Helicopter Society*, Vol. 36, No. 3, July 1991, pp. 36 – 47.
- [43] Hodges, D.H., Shang, X., and Cesnik, C.E.S., “Finite Element Solution of Nonlinear Intrinsic Equations for Curved Composite Beams,” *Journal of the American Helicopter Society*, Vol. 41, No. 4, October 1996, pp. 313 – 321.
- [44] Hopkins, S.A., Ruzicka, G.C., and Ormiston, R.A., “Analytical Investigations of Coupled Rotorcraft/Engine/Drive Train Dynamics,” *Proceedings of 2nd International Aeromechanics Specialists’ Conference*, Bridgeport, CT, October 11-13 1995, pp. 2.1 – 2.23.
- [45] Ie, C.A. and Kosmatka, J.B., “Formulation of a Nonlinear Theory for Spinning Anisotropic

- Beams,” *Recent Advances in Structural Dynamic Modeling of Composite Rotor Blades and Thick Composites*, Vol. AD-Vol. 30, Winter Annual Meeting of ASME, (Friedmann, P.P. and Kosmatka, J.B., Editors), Anaheim, CA, November 8-13 1992, pp. 41 – 57.
- [46] Johnson, W., *Helicopter Theory*, Princeton University Press, 1980.
- [47] Johnson, W., “Recent Developments in Dynamics of Advanced Rotor Systems – Part I,” *Vertica*, Vol. 10, No. 1, No. 1, 1986, pp. 73 – 107.
- [48] Johnson, W., “Recent Developments in Dynamics of Advanced Rotor Systems – Part II,” *Vertica*, Vol. 10, No. 2, No. 2, 1986, pp. 109 – 150.
- [49] Johnson, W., *A Comprehensive Analytical Model of Rotorcraft Aerodynamics and Dynamics, Vol. I: Theory Manual*, Johnson Aeronautics, Palo Alto, CA, 1988.
- [50] Johnson, W., *CAMRAD II, Comprehensive Analytical Model of Rotorcraft Aerodynamics and Dynamics*, Johnson Aeronautics, Palo Alto, CA, 1992-1997.
- [51] Johnson, W., “Technology Drivers in the Development of CAMRAD II,” *Presented at AHS Aeromechanics Specialists Conference on Aerodynamics, Acoustics and Dynamics*, San Francisco, CA, Jan. 19-21 1994.
- [52] Jung, S.N., Nagaraj, V.T., and Chopra, I., “Assessment of Composite Rotor Blade Modeling Techniques,” *Journal of The American Helicopter Society*, Vol. 44, No. 3, July 1999, pp. 188 – 205.
- [53] Kampa, K., Enenkl, B., Polz, G., and Roth, G., “Aeromechanic Aspects in the Design of the EC135,” *Journal of The American Helicopter Society*, Vol. 44, No. 2, April 1999, pp. 83 – 93.
- [54] Kim, K., and Chopra, I., “Aeroelastic Analysis of Swept, Anhedral, and Tapered Tip Rotor Blades,” *Journal of the American Helicopter Society*, Vol. 37, No. 1, Jan. 1992, pp. 15 – 30.
- [55] Kosmatka, J.B. and Friedmann, P.P., “Vibration Analysis of Composite Turbopropellers Using a Nonlinear Beam-Type Finite Element Approach,” *AIAA Journal*, Vol. 27, No. 11, November 1989, pp. 1606 – 1614.
- [56] Kunz, D.L., “Influence of Elastomeric Lag Damper Modeling on the Predicted Dynamic Response of Helicopter Rotor Systems,” AIAA Paper 96-1219-CP, *AIAA Dynamics Specialists’ Conference*, Salt Lake City, UT, April 18-19 1996, pp. 154 – 164.
- [57] Leishman, J.G., *Principles of Helicopter Aerodynamics*, Cambridge University Press, 2000.
- [58] Leishman, J.G. and Beddoes, T.S., “A Generalized Model for Unsteady Aerodynamic Behavior and Dynamic Stall Using Indicial Method,” *Journal of The American Helicopter Society*, Vol. 34, No. 3, July 1989, pp. 3 – 17.
- [59] Lim, J.W., and Anastassiades, T., “Correlation of 2GCHAS Analysis with Experimental Data,” *Journal of the American Helicopter Society*, Vol. 40, No. 4, October 1995, pp. 18 – 33.
- [60] Lim, J.W., Panda, B., Sopher, R., Casarino, S.J., and Lee, C.S., “Current Status of U.S. Army Comprehensive Helicopter Analysis System,” *Proceedings of the 56th Annual Forum of the American Helicopter Society*, Virginia Beach, VA, May 2-4 2000.
- [61] Loewy, R.G., “Review of Rotary-Wing V/STOL Dynamic and Aeroelastic Problems,” *Journal of The American Helicopter Society*, Vol. 14, No. 3, July 1969, pp. 3 – 23.
- [62] Loewy, R.G., “Helicopter Vibrations: A Technological Perspective,” *Journal of The American Helicopter Society*, Vol. 29, No. 4, October 1984, pp. 4 – 30.
- [63] Maier, H.T. and Abrego, A.L., “Analytical Model Sensitivity Study for Aeroelastic Stability of Straight and Swept-Tip Rotor Blades,” *Proceedings of the 26th European Rotorcraft Forum*, The Hague, The Netherlands, September 26-29 2000.
- [64] Maier, T.H., Sharpe, D.L., and Abrego, A.L., “Aeroelastic Stability for Straight and Swept-Tip Rotor Blades in Hover and Forward Flight,” *Proceedings of the 55th Annual Forum of the American Helicopter Society*, Montreal, Quebec, Canada, May 25-27 1999.
- [65] Milgram, J., and Chopra, I., “A Parametric Design Study for Actively Controlled Trailing Edge Flaps,” *Journal of The American Helicopter Society*, Vol. 43, No. 2, April 1998, pp. 110 – 119.

- [66] Milgram, J., Chopra, I., and Straub, F.K., "A Comprehensive Rotorcraft Aeroelastic Analysis with Trailing Edge Flap Model: Validation with Experimental Data," *52nd Annual Forum of the American Helicopter Society*, Washington, DC, June 4-6 1996, pp. 715 – 725.
- [67] Milgram, J.H., and Chopra, I., "Air Resonance of Hingeless Rotor Helicopters in Trimmed Forward Flight," *Journal of The American Helicopter Society*, Vol. 39, No. 4, October 1994, pp. 46 – 58.
- [68] Millot, T.A., Friedmann, P.P., and Yuan, K., "Correlation Studies for Hingeless Rotors in Forward Flight Using 2GCHAS," *Journal of The American Helicopter Society*, Vol. 43, No. 3, July 1998, pp. 257 – 262.
- [69] Millott, T., and Friedmann, P.P., "The Practical Implementation of an Actively Controlled Flap to Reduce Vibrations in Helicopter Rotors," *Proceedings of the 49th Annual Forum of the American Helicopter Society*, St. Louis, MO, may 1993, pp. 1079 – 1092.
- [70] Millott, T.A., and Friedmann, P.P., "Vibration Reduction in Helicopter Rotors Using an Active Control Surface Located on the Blade," AIAA Paper 92-2451, *Proceedings of 33rd Structures, Structural Dynamics, and Materials Conference*, Dallas, TX, April 1992, pp. 1974 – 1988.
- [71] Millott, T.A., and Friedmann, P.P., "Vibration and Reduction in Hingeless Rotor Using an Actively Controlled Trailing Edge Flap: Implementation and Time Domain Simulation," AIAA Paper 94-1306, *Proceedings of 35th AIAA/ASME/ASCE/AHS/ASC Structures, Structural Dynamics and Materials Conference*, Hilton Head, SC, April 18-20 1994, pp. 9 – 22.
- [72] Millott, T.A., and Friedmann, P.P., "Vibration Reduction in Helicopter Rotors Using an Actively Controlled Partial Span Trailing Edge Flap Located on the Blade," NASA, CR 4611, June 1994.
- [73] Myrtle, T.F., "Development of an Improved Aeroelastic Model for the Investigation of Vibration Reduction in Helicopter Rotors Using Trailing Edge Flaps," Ph.D. Dissertation, Mechanical and Aerospace Engineering Dept., University of California, Los Angeles, CA, June 1998.
- [74] Myrtle, T.F., and Friedmann, P.P., "Unsteady Compressible Aerodynamics of a Flapped Airfoil with Application to Helicopter Vibration Reduction," AIAA Paper 97-1083-CP, *Proceedings of the 38th AIAA/ASME/ASCE/AHS Structures, Structural Dynamics and Materials Conference*, Kissimmee, FL, April, 7-10 1997, pp. 224 – 240.
- [75] Myrtle, T.F., and Friedmann, P.P., "Vibration Reduction in Rotorcraft Using the Actively Controlled Trailing Edge Flap and Issues Related to Practical Implementation," *Proceedings of the 54th Annual Forum of the American Helicopter Society*, Washington, DC, May, 20-22 1998.
- [76] Myrtle, T.R. and Friedmann, P.P., "Application of a New Compressible Time Domain Aerodynamic Model to Vibration Reduction in Helicopters Using An Actively Controlled Flap," *Journal of The American Helicopter Society*, Vol. 46, No. 1, January 2001.
- [77] Nagabhushanam, J., and Gaonkar, G.H., "Hingeless-Rotor Aeromechanical Stability in Axial and Forward Flight With Wake Dynamics," *Journal of The American Helicopter Society*, Vol. 44, No. 3, July 1999, pp. 222 – 233.
- [78] Nixon, M.W., "Aeroelastic Response and Stability of Tiltrotors with Elastically-Coupled Composite Rotor Blades," Ph.D. Dissertation, Dept. of Aerospace Engineering, University of Maryland, 1993.
- [79] Ormiston, R.A., "Investigation of Hingeless Rotor Stability," *Vertica*, Vol. 7, No. 2, No. 2, 1983, pp. 143 – 181.
- [80] Ormiston, R.A., "Rotor-Fuselage Dynamics of Helicopter Air and Ground Resonance," *Journal of The American Helicopter Society*, Vol. 36, No. 2, April 1991, pp. 3 – 20.
- [81] Ormiston, R.A., Saberi, H., and Anastaniades, T., "Application of 2 GCHAS to the Investigation of Aeromechanical Stability of Hingeless and Bearingless Rotor Helicopters," *51st Annual Forum of the American Helicopter Society*, Fort Worth, TX, May 9-11 1995, pp. 1132 – 1155.
- [82] Ormiston, R.A., Warmbrodt, W.G., Hodges, D.H., and Peters, D.A., "Survey

- of Army/NASA Rotorcraft Aeroelastic Stability Research,” NASA, TM 101026, October 1971.
- [83] Panda, B., and Mychalowycz, E., “Aeroelastic Stability Wind Tunnel Testing with Analytical Correlation of the Comanche Bearingless Main Rotor,” *Journal of The American Helicopter Society*, Vol. 42, No. 3, July 1997, pp. 207 – 217.
- [84] Peters, D.A., Boyd, D.D., and He, C.J., “Finite-State Induced-Flow Model for Rotors in Hover and Forward Flight,” *Journal of The American Helicopter Society*, Vol. 34, No. 4, October 1989.
- [85] Peters, D.A. and He, C.H., “A Closed-Form Unsteady Aerodynamic Theory for Lifting Rotors in Hover and Forward Flight,” *Proceedings of the 43rd Annual Forum of the American Helicopter Society*, St. Louis, MO, May 18-20 1987.
- [86] Peters, D.A., and He, C.J., “Finite State Induced Flow Models Part II: Three Dimensional Rotor Disk,” *Journal of Aircraft*, Vol. 32, No. 2, March-April 1995, pp. 323 – 333.
- [87] Peters, D.A., Karunamoorthy, S., and Cao, W., “Finite State Induced Flow Models Part I: Two Dimensional Thin Airfoil,” *Journal of Aircraft*, Vol. 32, No. 2, March-April 1995, pp. 313 – 322.
- [88] Petot, D., “Differential Equation Modeling of Dynamic Stall,” *La Recherche Aerospaciale*, Vol. 5, 1989, pp. 59 – 71.
- [89] Petot, D., Arnaud, G., Harrison, R., Stevens, J., Dieterich, O., van der Wall, B.G., Young, C., and Széchényi, E., “Stall Effects and Blade Torsion – An Evaluation of Predictive Tools,” *Journal of The American Helicopter Society*, Vol. 44, No. 4, October 1999, pp. 320 – 331.
- [90] Pitt, D.M. and Peters, D.A., “Theoretical Prediction of Dynamic Inflow Derivatives,” *Vertica*, Vol. 5, No. 1, No. 1, 1981, pp. 21 – 34.
- [91] Rand, O., “Periodic Response of Thin-Walled Composite Helicopter Rotor Blades,” *Journal of The American Helicopter Society*, Vol. 36, No. 4, October 1991, pp. 3 – 11.
- [92] Reichert, G., “Helicopter Vibration Control – A Survey,” *Vertica*, Vol. 5, No. 1, No. 1, 1981, pp. 1 – 20.
- [93] Rutkowski, M.J. et al, “Comprehensive Aeromechanics Analysis of Complex Rotorcraft Using 2GCHAS,” *Journal of the American Helicopter Society*, Vol. 40, No. 4, October 1995, pp. 3 – 17.
- [94] Saberi, H., Jung, Y.C., and Anastassiades, T., “Finite Element and Modal Method in Multi-body Dynamic Code,” *Proceedings of 2nd International Aeromechanics Specialists’ Conference*, Bridgeport, CT, October 11-13 1995, pp. 8.1 – 8.16.
- [95] Shang, X., Hodges, D.H., and Peters, D.A., “Aeroelastic Stability of Composite Hingeless Rotors in Hover with Finite-State Unsteady Aerodynamics,” *Journal of The American Helicopter Society*, Vol. 44, No. 3, July 1999, pp. 206 – 221.
- [96] Silverthorn, L.J., Anand, V.R., and Lauzon, D.M., “FAA Certification of the MD 900 Dynamic Systems,” *Presented at the 6th International Workshop on Dynamics and Aeroelastic Stability Modeling of Rotorcraft Systems*, University of California, Los Angeles, November 1995.
- [97] Smith, E. et al, “Aeroelastic Response and Stability of Helicopters with Elastomeric Lag Dampers,” *Journal of the American Helicopter Society*, Vol. 41, No. 3, July 1996, pp. 257 – 266.
- [98] Smith, E. et al, “Formulation, Validation and Application of a Finite Element Model for Elastomeric Lag Dampers,” *Journal of the American Helicopter Society*, Vol. 41, No. 3, July 1996, pp. 247 – 256.
- [99] Smith, E.C., “Aeroelastic Response and Aeromechanical Stability of Helicopters with Elasticity Coupled Composite Rotor Blades,” Ph.D. Dissertation, Dept. of Aerospace Engineering, University of Maryland, July 1992.
- [100] Smith, E.C., and Chopra, I., “Formulation and Evaluation of an Analytical Model for Composite Box-Beams,” *Journal of The American Helicopter Society*, Vol. 36, No. 3, July 1991, pp. 23 – 35.

- [101] Smith, E.C. and Chopra, I., "Air and Ground Resonance With Elastically Tailored Composite Rotor Blades," *Journal of The American Helicopter Society*, Vol. 38, No. 4, October 1993, pp. 50 – 61.
- [102] Song, O., and Librescu, L., "Structural Modeling and Free Vibration Analysis of Rotating Composite Thin-Walled Beams," *Journal of The American Helicopter Society*, Vol. 42, No. 4, October 1997, pp. 358 – 369.
- [103] Sopher, R. and Hallock, D., "Time History Analysis of Rotorcraft Dynamics Based on a Component Approach," *Journal of The American Helicopter Society*, Vol. 31, No. 1, January 1986, pp. 43 – 51.
- [104] Srinivas, V., and Chopra, I., "Validation of a Comprehensive Aeroelastic Analysis for Tiltrotor Aircraft," *Journal of The American Helicopter Society*, Vol. 43, No. 3, July 1998.
- [105] Srinivas, V., Chopra, I., and Nixon, M.W., "Aeroelastic Analysis of Advanced Geometry Tiltrotor Aircraft," *Journal of The American Helicopter Society*, Vol. 43, No. 3, July 1998, pp. 212 – 221.
- [106] Straub, F.K., "Active Flap Control for Vibration Reduction and Performance Improvement," *Proceedings of the 51st American Helicopter Society Forum*, Fort Worth, TX, 1995, pp. 381 – 392.
- [107] Straub, F.K. and Charles, B.D., "Comprehensive Modeling of Rotors with Trailing Edge Flaps," *Proceedings of the 55th Annual Forum of the American Helicopter Society*, Montreal, Canada, May 25-27 1999.
- [108] Straub, F.K., Sangha, K.B., and Panda, B., "Advanced Finite Element Modeling of Rotor Blade Aeroelasticity," *Journal of the American Helicopter Society*, Vol. 39, No. 2, April 1994, pp. 56 – 68.
- [109] Takahashi, M.D., and Friedmann, P.P., "Helicopter Air Resonance Modeling and Suppression Using Active Control," *Journal of Guidance, Control and Dynamics*, Vol. 14, No. 6, Nov./Dec. 1991, pp. 1294 – 1300.
- [110] Tang, D., Dowell, E.H., and Peters, D.A., "Reduced Order Aerodynamic Models Based Upon Inflow Eigenmodes," *Journal of The American Helicopter Society*, Vol. 43, No. 4, October 1998, pp. 342 – 351.
- [111] Torok, M.S., and Berezin, C.R., "Aerodynamic and Wake Methodology Evaluation Using Model UH-60A Experimental Data," *Journal of the American Helicopter Society*, Vol. 39, No. 2, April 1994, pp. 21 – 29.
- [112] Torok, M.S., and Chopra, I., "Hingeless Rotor Aeroelastic Stability Analysis with Refined Aerodynamic Modeling," *Journal of the American Helicopter Society*, Vol. 36, No. 4, October 1991, pp. 48 – 56.
- [113] Toulmay, F., Arnaud, G., Falchero, D., and Villat, V., "Analytical Prediction of Rotor Dynamics for Advanced Geometry Blades," *52nd Annual Forum of the American Helicopter Society*, Washington, DC, June 4-6 1996, pp. 685 – 703.
- [114] Tracy, A.L., and Chopra, I., "Aeroelastic Analysis of a Composite Bearingless Rotor in Forward Flight Using an Improved Warping Model," *Journal of the American Helicopter Society*, Vol. 40, No. 3, July 1995, pp. 80 – 91.
- [115] Truong, V.K., "Prediction of Helicopter Rotor Airloads Based on Physical Modeling of 3-D Unsteady Aerodynamics," Paper No. 96, *Proceedings 22nd European Rotorcraft Forum*, Brighton, UK, September 17-19 1996, pp. 96.1 – 96.14.
- [116] Tyler, J.C., and Leishman, J.G., "Analysis of Pitch and Plunge Effects on Unsteady Airfoil Behavior," *Journal of The American Helicopter Society*, Vol. 37, No. 3, July 1992, pp. 69 – 82.
- [117] Weller, W.H., "Relative Aeromechanical Stability Characteristics for Hingeless and Bearingless Rotors," *Journal of The American Helicopter Society*, Vol. 35, No. 3, July 1990, pp. 68-77.
- [118] Weller, W.H., "Variation in Hover Aeromechanical Stability Trends with Bearingless Main Rotor Design," *Journal of The American Helicopter Society*, Vol. 39, No. 1, January 1994, pp. 70 – 80.
- [119] Weller, W.H., "Fuselage State Feedback for Aeromechanical Stability Augmentation of a Bearingless Main Rotor," *Journal of The American Helicopter Society*, Vol. 41, No. 2, April 1996, pp. 85 – 93.

- [120] Wilkie, W.K., Wilbur, W.M., Mirick, P.H., Cesnik, C.E.S., and Shin, S., "Aeroelastic Analysis of the NASA/Army/MIT Active Twist Rotor," *Proceedings of the 55th Annual Forum of the American Helicopter Society*, Montreal, Canada, May 25-27 1999.
- [121] Yuan, K., Friedmann, P.P., and Venkatesan, C., "Aeroelastic Behavior of Composite Rotor Blades with Swept Tips," *Proceedings of the 48th Annual Forum of American Helicopter Society*, Washington, DC, June 1992, pp. 1039 – 1059.
- [122] Yuan, K., Friedmann, P.P., and Venkatesan, C., "A New Aeroelastic Model for Composite Rotor Blades with Straight and Swept Tips," AIAA Paper 92-2259, *33rd AIAA/ASME/AHS/ASC Structures, Structural Dynamics and Materials Conference*, Dallas, TX, April 13-15 1992, pp. 1371 – 1390.
- [123] Yuan, K., Friedmann, P.P., and Venkatesan, C., "Aeroelastic Stability, Response and Loads of Swept Tip Composite Rotor Blades in Forward Flight," *Proceedings 35th AIAA/ASME/ASCE/AHS/ASC Structures, Structural Dynamics and Materials Conference*, Hilton Head, SC, April 18-20 1994, pp. 23-42.
- [124] Yuan, K.A., and Friedmann, P.P., "Aeroelasticity and Structural Optimization of Composite Helicopter Rotor Blades with Swept Tips," NASA, CR 4665, May 1995.

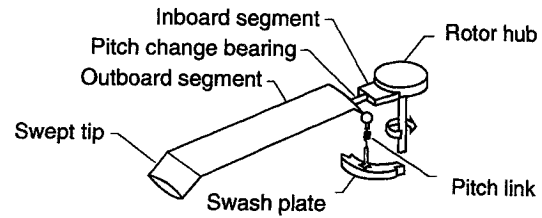
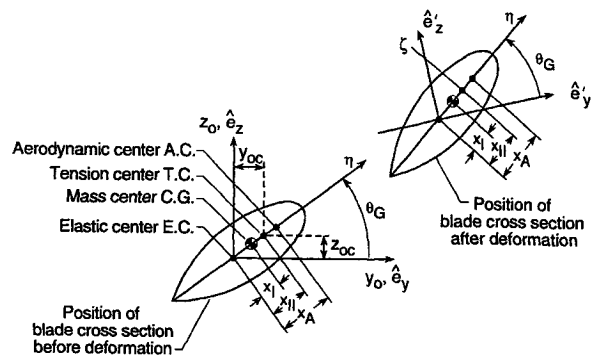
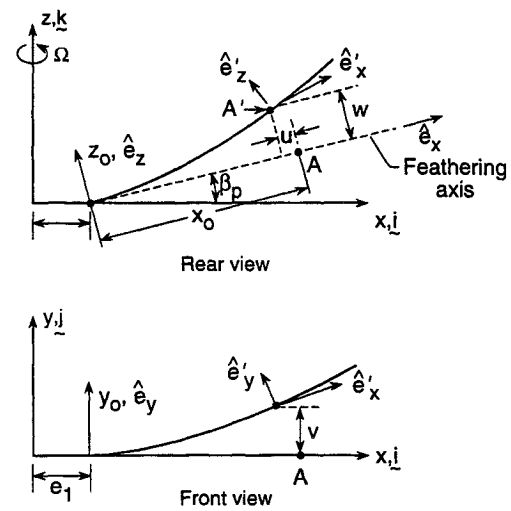


Figure 1: Typical hingeless blade with advanced geometry tip.



Note: Blade cross section after deformation is not in the plane of the paper

Figure 2: Undeformed and deformed blade configurations shown at the top, and cross-sectional locations shown at the bottom, illustrating the geometrically nonlinear aspects of the basic coupled flap-lag-torsional problem.

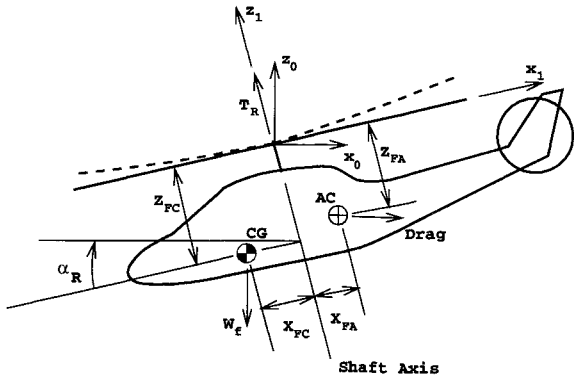


Figure 3: Schematic description of the helicopter in forward flight used for coupled trim/aeroelastic analysis (propulsive trim).

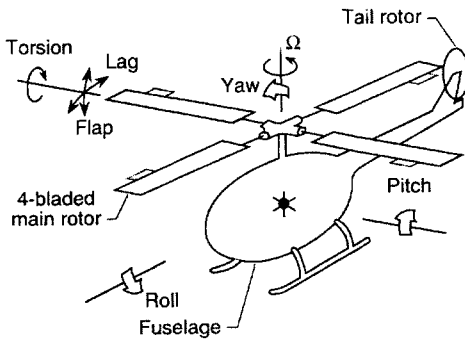


Figure 4: Coupled rotor-fuselage dynamic system, with active control flaps shown on the blades.

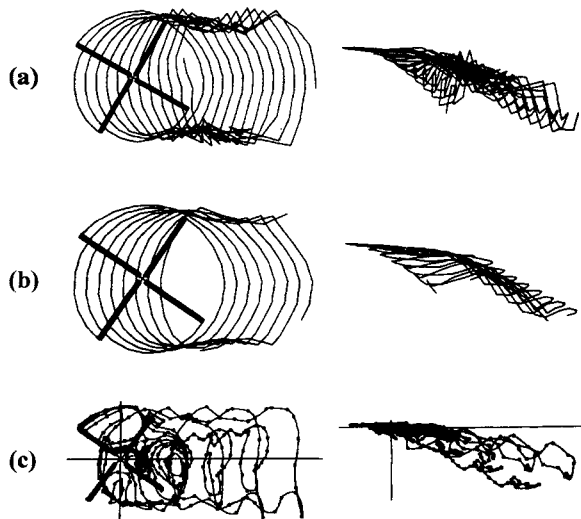


Figure 5: Qualitative features of three different free-wake models at an advance ratio of $\mu = 0.1$. Wake geometry (a) FREEWAKE model, (b) Johnson (modified Scully) model, and (c) RotorCRAFT model.

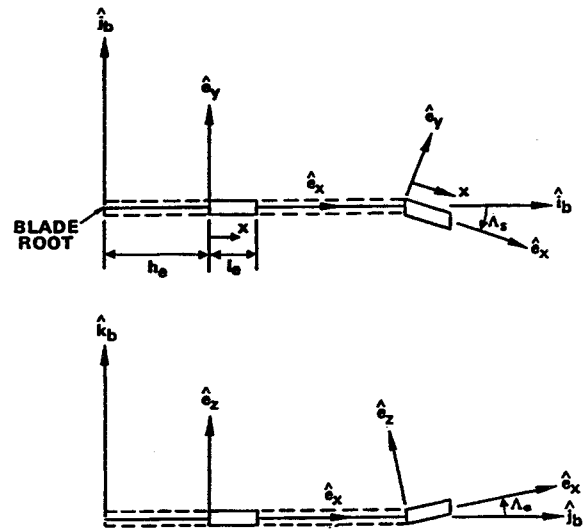


Figure 6: Undeformed blade coordinate system, showing typical elements of the blade span.

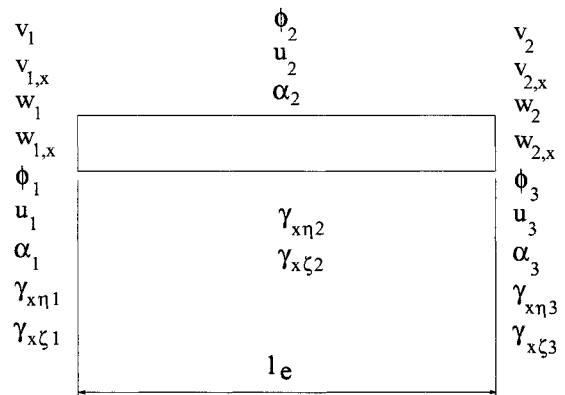


Figure 7: Finite element nodal degrees of freedom.

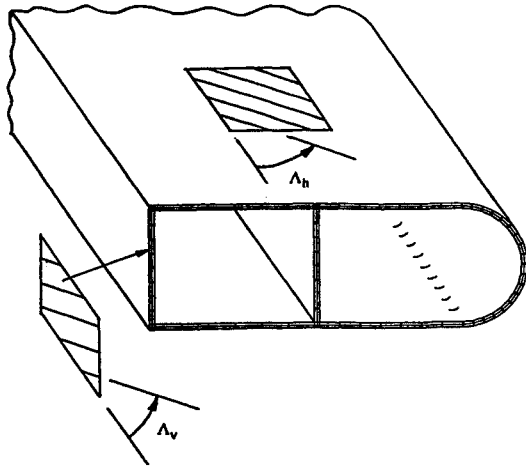


Figure 8: Two cell composite cross-section, including ply orientations, Λ_v and Λ_h in the vertical and horizontal walls, respectively.

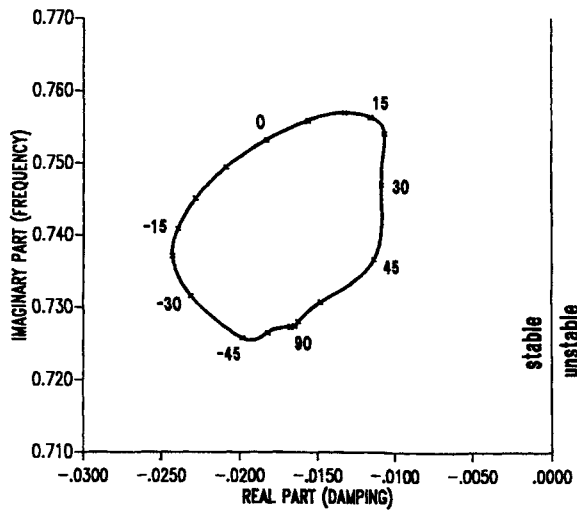


Figure 9: Root locus for the first lag mode.

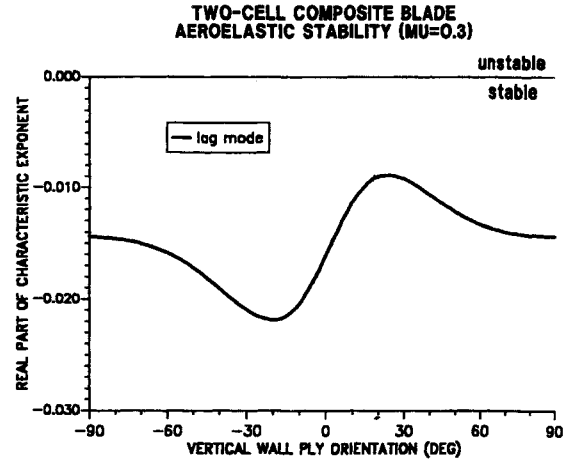


Figure 10: Characteristic exponent for the fundamental lag mode at an advance ratio of $\mu = 0.30$.

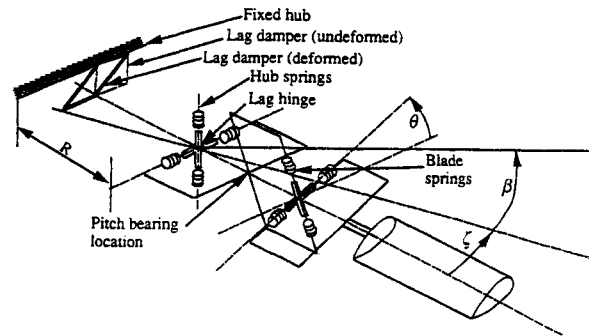


Figure 11: Offset hinged spring restrained hingeless blade model, coupled with an elastomeric lag damper model.

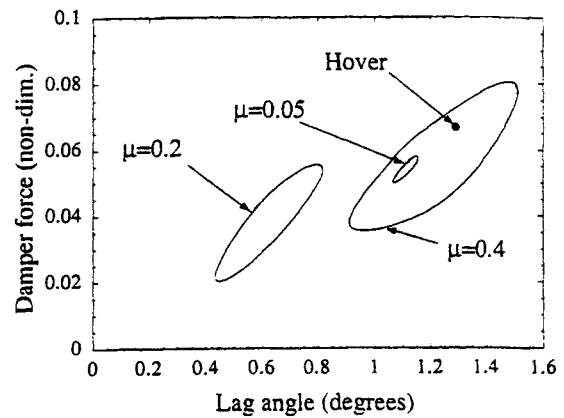


Figure 12: Hysteretic characteristics of damper force vs. lag angle for ADF damper model.

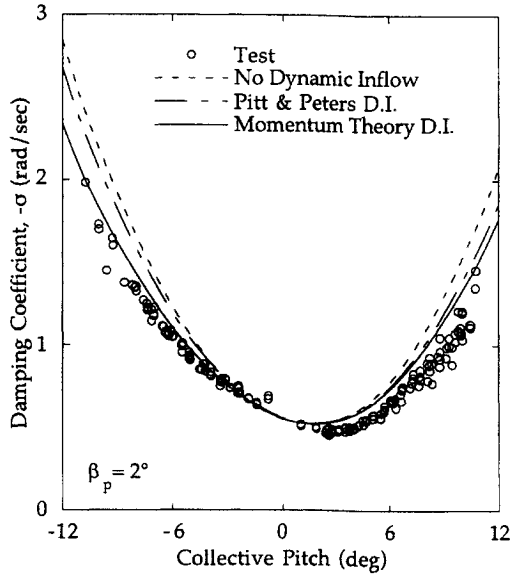


Figure 13: Comparison of CAMRAD II calculations with three inflow models and measured hover regressing mode damping versus collective pitch angle, swept tip blade with 2 degree precone hub, sweep 30 degrees aft.

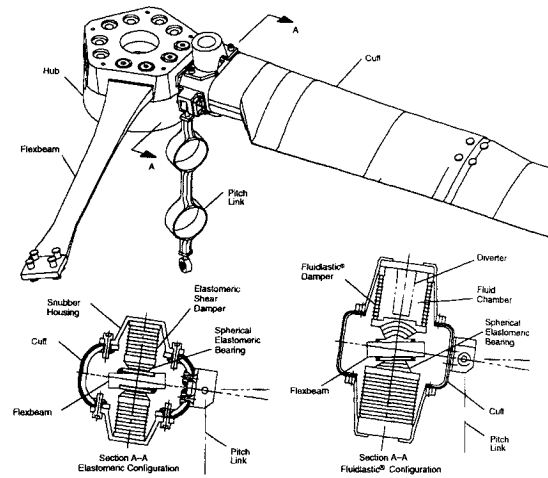


Figure 15: Description of the Comanche bearingless main rotor, including both elastomeric and Fluidlastic® damper configuration.

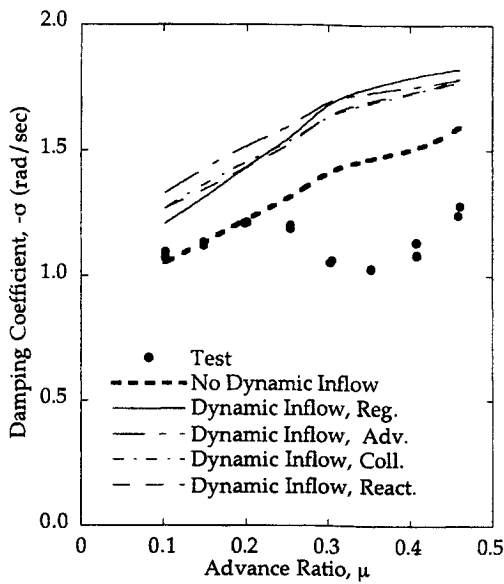


Figure 14: Comparison with swept tip rotor of measured forward flight regressing lag mode damping, CAMRAD II periodic solution without dynamic inflow and with dynamic inflow, 0-degree shaft angle, 6-degree collective pitch, 0-degree precone hub, 30-degree aft tip sweep.

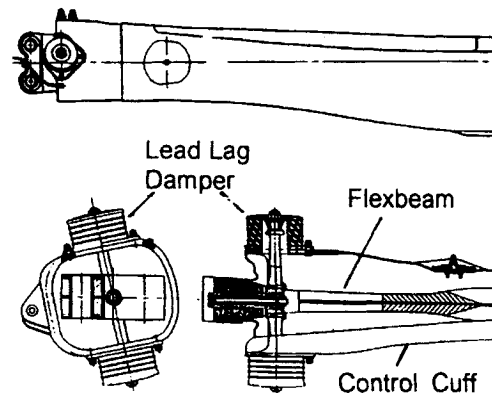


Figure 16: Design of EC135 bearingless rotor geometry, flexbeam and elastomeric lag damper.

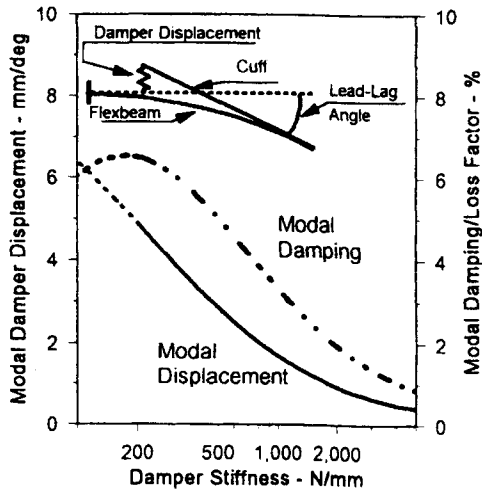


Figure 17: Chordwise kinematics showing cuff and in-plane blade bending (top) which determine the modal displacement and damping of the elastomeric lag damper (bottom).

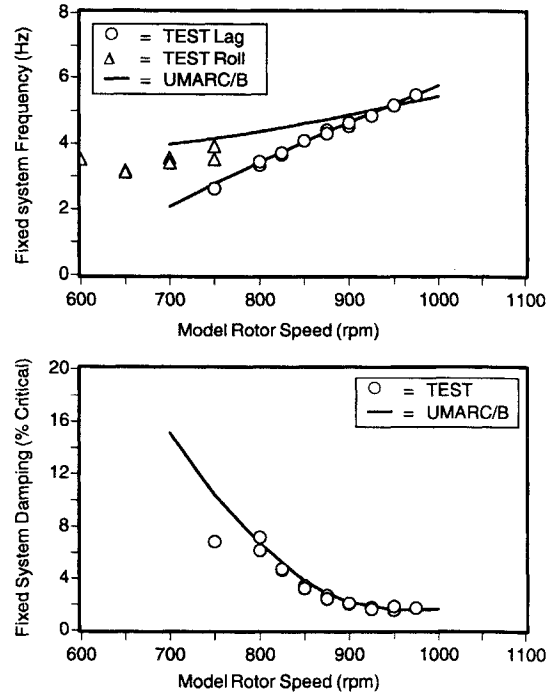


Figure 19: Hover air resonance at 9 degree collective with Fluidlastic® damper.

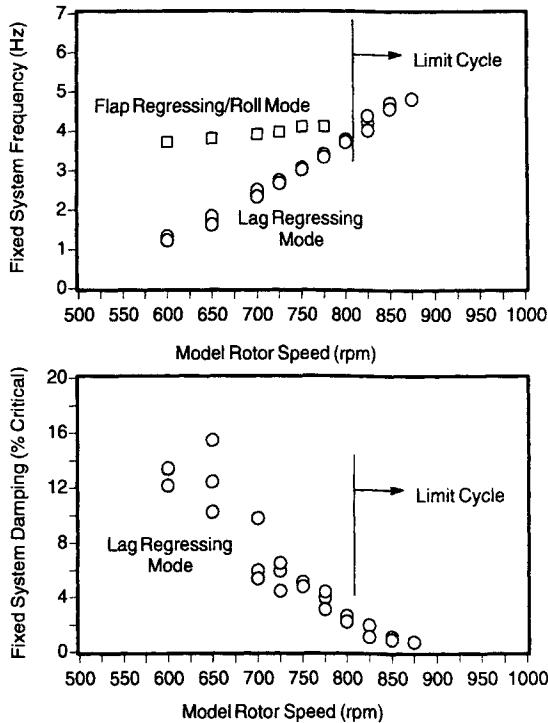


Figure 18: Hover air resonance of the minimum flight weight configuration with elastomeric dampers at 8-degree collective pitch.

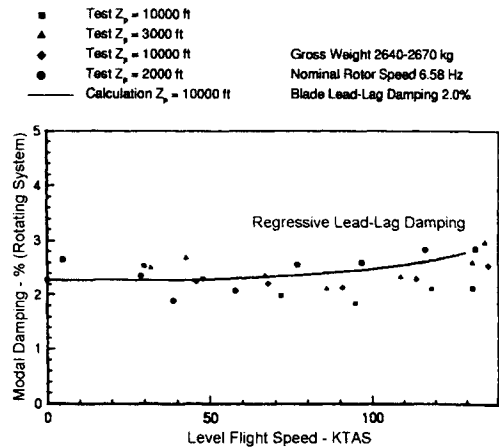


Figure 20: Regressing lag mode damping in forward flight and comparison with CAMRAD II.

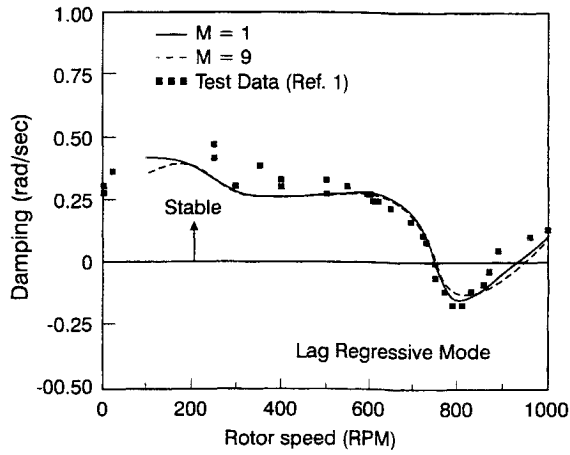


Figure 21: Regressing lag mode damping with increasing rotor speed at zero degree blade collective pitch.

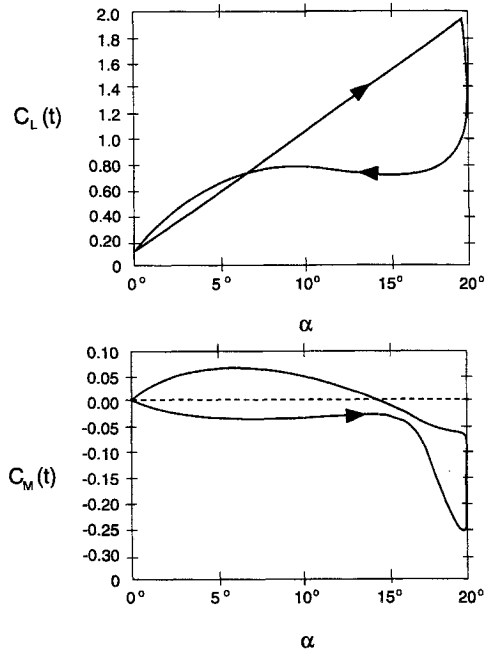


Figure 23: Typical hysteretic lift and moment coefficients computed with the ONERA dynamic stall model.

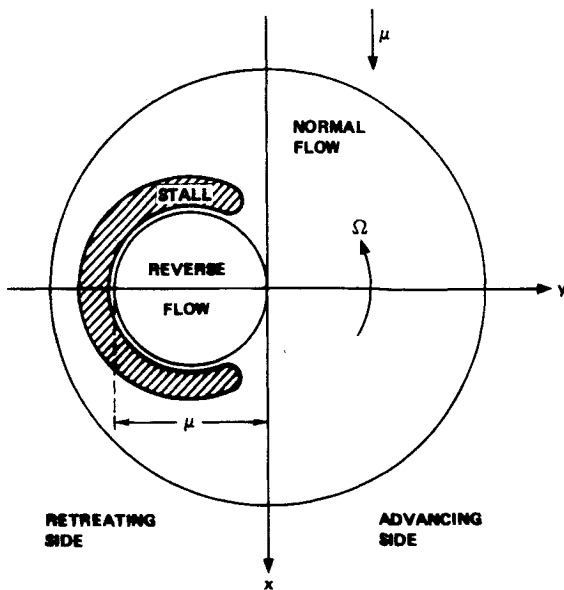


Figure 22: Schematic illustration of reversed flow region and dynamic stall region.

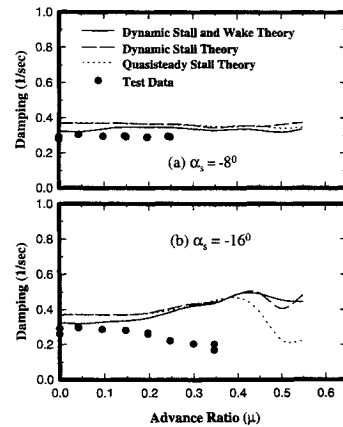


Figure 24: Aerodynamic modeling effects on the lag damping, for a three bladed hingeless rotor blade model.

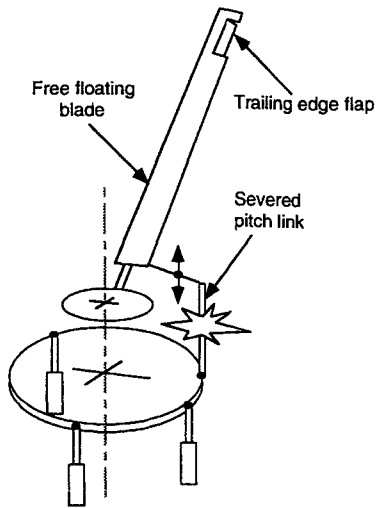


Figure 25: Blade with severed pitch link and actively controlled trailing edge flap.

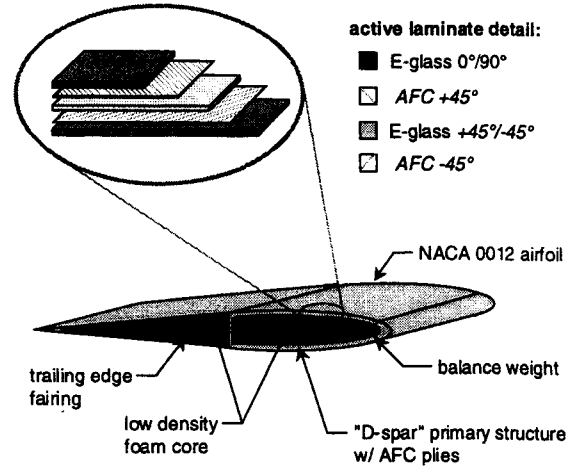


Figure 27: ATR spar structure with active laminates containing piezoelectric fibers.

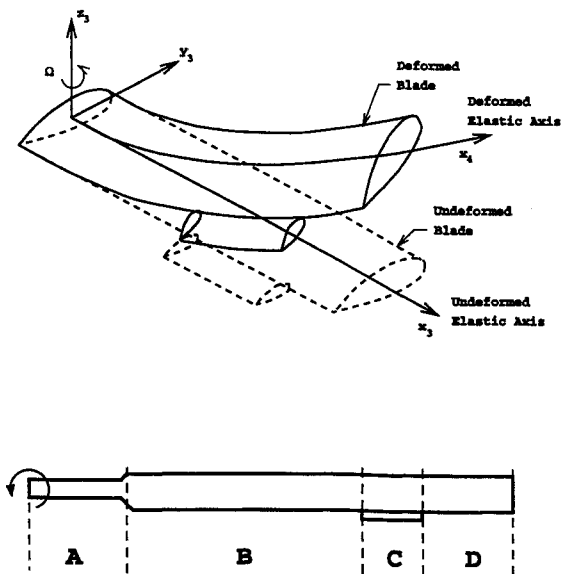


Figure 26: Elastic blade model incorporating a partial span trailing edge flap, with several blade regions for time domain aerodynamic approximations.

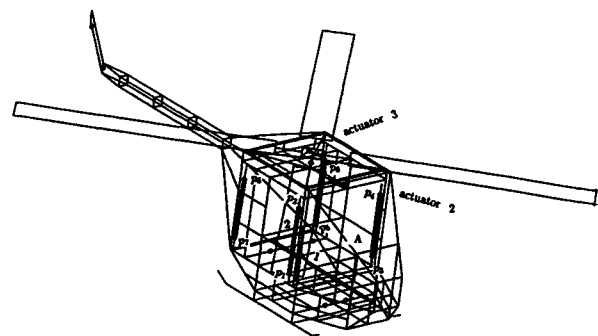


Figure 28: Coupled rotor/flexible fuselage model using ACSR platform and actuators.

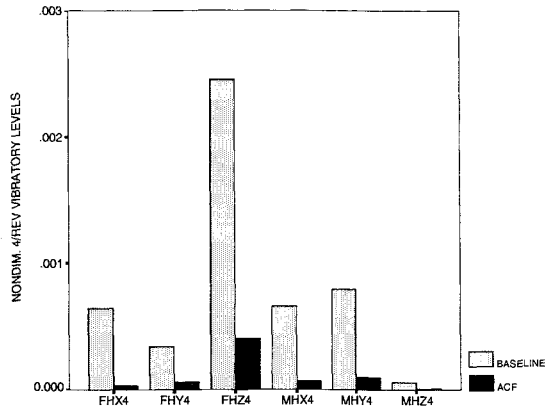


Figure 29: Simultaneous reduction of 4/rev hub shears and moments, $\mu = 0.15$, RFA aerodynamics.

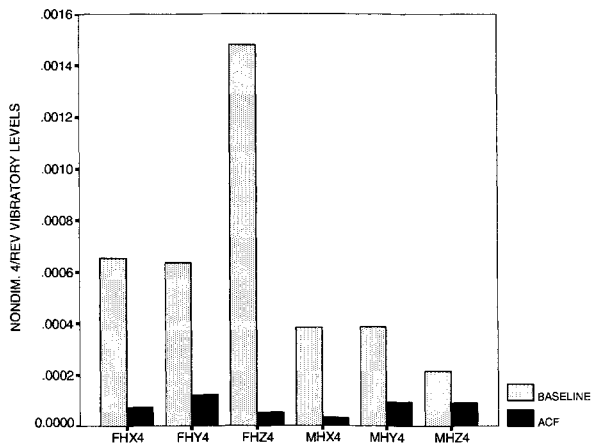


Figure 30: Simultaneous reduction of 4/rev hub shears and moments, $\mu = 0.30$, RFA aerodynamics.

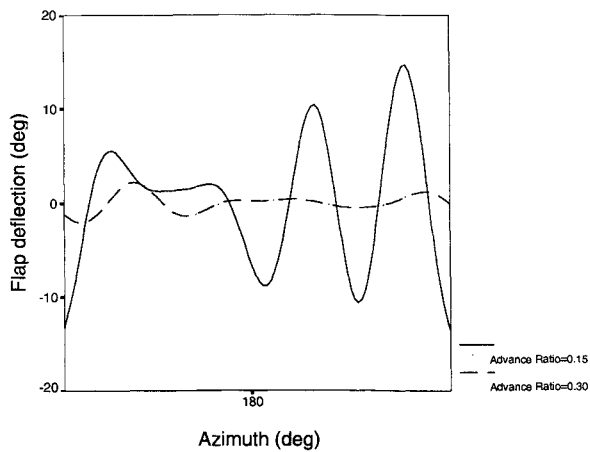


Figure 31: Flap deflection history at advance ratios $\mu = 0.15$ and $\mu = 0.30$ with RFA aerodynamics.