

Highlighting the versatility of the tracerlab synthesis modules. Part 1: fully automated production of [^{18}F]labelled radiopharmaceuticals using a Tracerlab FX_{FN}

Xia Shao,^a Raphaël Hoareau,^a Brian G. Hockley,^a Louis J. M. Tluczek,^a Bradford D. Henderson,^a Henry C. Padgett,^b and Peter J. H. Scott^{a*}

The field of radiochemistry is moving toward exclusive use of automated synthesis modules for production of clinical radiopharmaceutical doses. Such a move comes with many advantages, but also presents radiochemists with the challenge of re-configuring synthesis modules for production of radiopharmaceuticals that require nonconventional radiochemistry while maintaining full automation. This review showcases the versatility of the Tracerlab FX_{FN} synthesis module by presenting simple, fully automated methods for producing [^{18}F]FLT, [^{18}F]FAZA, [^{18}F]MPPF, [^{18}F]FEOBV, [^{18}F]sodium fluoride, [^{18}F]fluorocholine and [^{18}F]SFB.

Keywords: positron emission tomography; automated radiopharmaceutical synthesis; fluorine-18; radiochemistry

Introduction

The field of radiochemistry is increasingly migrating toward the use of commercially available automated synthesis modules for production of clinical radiopharmaceutical doses. The advantages of such a strategy over more traditional 'manual' synthetic approaches are clear and include: (i) automation of radiochemical syntheses providing robust, repeatable processes; (ii) the ability to handle multiple Curies of radioactivity safely enabling positron emission tomography (PET) Centers to produce and distribute hundreds of doses daily; (iii) facilitated regulatory compliance through manufacturer IQ/OQ/PQ and scheduled maintenance protocols performed on synthesis modules by authorized personnel; and (iv) improved radiation safety through elimination of manual operations. Despite these numerous significant advantages, the move toward exclusive use of automated synthesis modules also has some associated challenges. Chief among these is the issue of re-configuring synthesis modules for production of radiopharmaceuticals that require nonconventional radiochemistry (such radiochemical strategies have been the subject of several recent major review articles^{1–10}) while maintaining full automation. Furthermore, what is the best method to simplify making such frequently nontrivial changes in module configuration so that multiple operators can make them with a minimal chance for error?

At the University of Michigan PET Center, fluorine-18-labeled radiopharmaceuticals (with the exception of [^{18}F]FDG) are prepared using General Electric Medical Systems (GEMS) TracerLab FX_{FN} automated synthesis modules. As the demand for clinical doses of different fluorine-18-labeled radiopharmaceuticals, many of which are prepared using complex radiochemical techniques, continues to increase, we^{11–13} and others^{14–22} have

had to address the issue of frequent synthesis module reconfiguration. For example, recently we reported reconfiguration of a TracerLab $\text{FX}_{\text{C-Pro}}$ to allow preparation of multiple carbon-11-labeled radiopharmaceuticals without the need to open the hot-cell door between syntheses,¹² and modifications to a TracerLab FX_{FN} enabling production of [^{18}F]sodium fluoride to address the ongoing technetium-99m isotope shortage.¹³

In this overview we report configurational changes to a TracerLab FX_{FN} that allow for straightforward switching between production of [^{18}F]labeled radiopharmaceuticals using routine methods and those prepared using less common radiochemical techniques (e.g. gas phase reactions). Proof-of-concept is demonstrated through the simple, fully automated, production of multiple different [^{18}F]labeled radiopharmaceuticals using a single TracerLab FX_{FN} (Figure 1).

Automated radiopharmaceutical production using a tracerlab FX_{FN}

Introduction

General modifications to the tracerlab FX_{FN}

The Tracerlab FX_{FN} synthesis module is installed 'out-of-the-box' in its most basic configuration illustrated in Figure 3. This

^aThe University of Michigan School of Medicine, Ann Arbor, MI, USA

^bCardinal Health, Los Angeles, CA, USA

*Correspondence to: Peter J. H. Scott, The University of Michigan School of Medicine, Ann Arbor, MI, USA.
E-mail: pjhscott@umich.edu

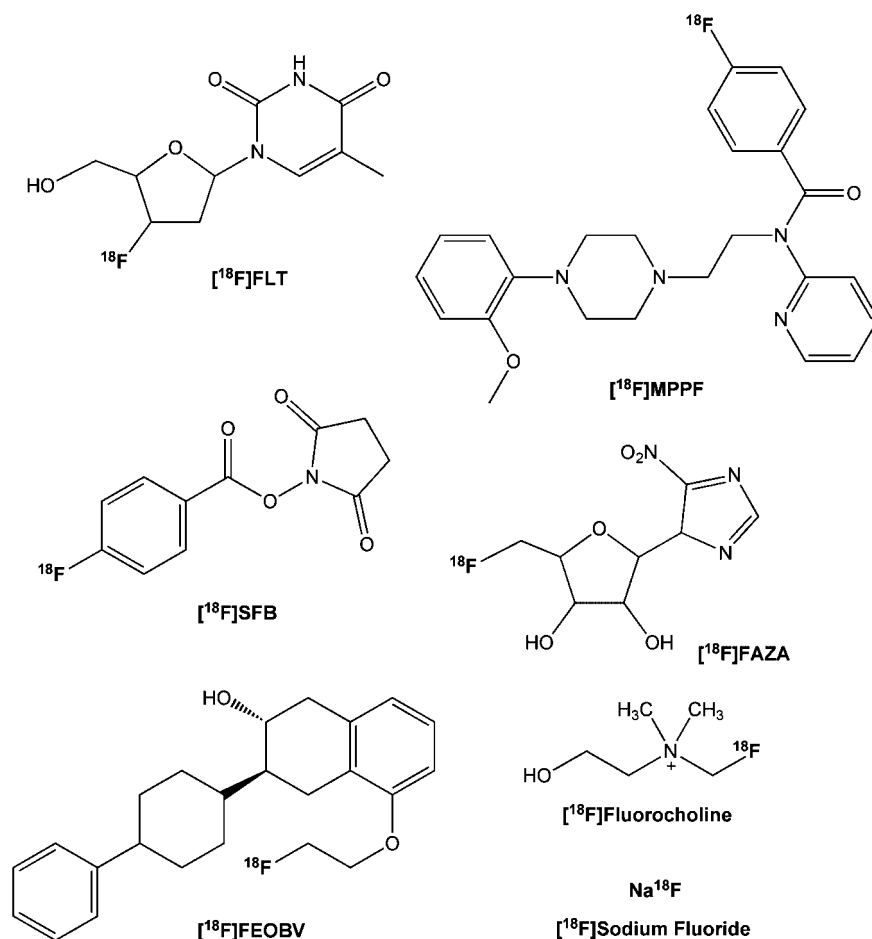


Figure 1. Fluorine-18-labeled radiopharmaceuticals.

configuration is suitable for straightforward production of radiopharmaceuticals requiring HPLC purification (e.g. FLT or FAZA, discussed in *Tracerlab Production with HPLC Purification* section) and can easily be reconfigured to incorporate a reformulation (e.g. for production of MPPF or FEOBV, discussed in *Tracerlab Production with HPLC Purification and SPE Reformulation* section and illustrated in Figure 7). However, with some simple modifications the TracerLab FX_{FN} can also be used to produce radiopharmaceuticals using other strategies such as the gas phase reactions outlined elsewhere in this article.

The first modification involves the delivery line from the cyclotron target. This line was originally just pushed through a hole in the septum of the target vial. However, if this line is clipped in half and the two parts re-connected using luer lock fittings, then target delivery can easily be switched between the target vial and, for example, the round-bottomed dilution flask (necessary for production of [¹⁸F]sodium fluoride as discussed in *Tracerlab Production with SPE Purification* section) or directly on to a QMA Sep-Pak, with minimal risk of damaging the delivery line. The latter approach of trapping a target dump directly onto a QMA Sep-Pak has been adapted by our group for straightforward and safe transportation of fluoride to satellite PET centers. The QMA Sep-Pak is housed in a lead pig prior to fluoride-18 delivery (Figure 2), and the luer lock fitting on the cyclotron delivery line is connected to the lines of the QMA delivery system. After fluoride delivery, the delivery line can easily be disconnected and the pig safely transferred to a DOT approved Type A container for transport.

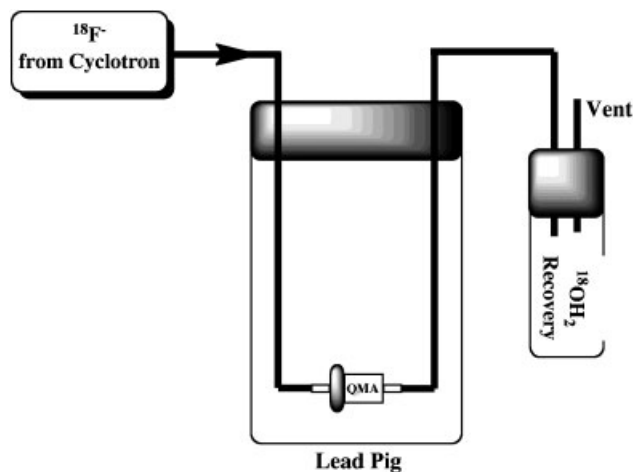


Figure 2. Setup for fluoride-18 distribution.

The second modification to the Tracerlab FX_{FN} is similar, and involves incorporating luer lock fittings into both the line connecting V-18 to the round-bottomed dilution flask and also the line connecting V-17 to the round-bottomed dilution flask. These fittings are essential for production of [¹⁸F]sodium fluoride, [¹⁸F]fluorocholine and [¹⁸F]SFB, as discussed in *Tracerlab Production with SPE Purification* section. Reflecting the fact that these modifications are only to tubing and fittings, defined

as consumables and customer responsible maintenance items by GEMS, they do not invalidate the manufacturer IQ/OQ. In order to verify that the alternative synthesis module configurations are suitable, three process verification (qualification) runs are completed for each radiopharmaceutical prior to preparation of clinical doses.

General synthesis considerations

Unless otherwise stated, reagents and solvents were commercially available and used without further purification: sodium chloride, 0.9% USP and Sterile Water for Injection, USP were purchased from Hospira; ethanol was purchased from American Regent; anhydrous acetonitrile, potassium carbonate, sodium acetate, hydrochloric acid, sodium dihydrogenphosphate, dibromomethane, acetic acid, DMSO, DIPEA, tetrapropylammonium hydroxide and TSTU were purchased from Sigma Aldrich; kryptofix-2.2.2 was purchased from Acros Organics and HPLC grade acetonitrile was purchased from Fisher Scientific.

Precursors and standards were commercially available unless otherwise indicated. FLT (standard and DMT-Boc-Nosyl/cyclic precursors), MPPF (standard and precursor), fluorocholine (standard) and SFB (standard and precursor) were purchased from ABX Advanced Biochemicals. Sodium fluoride and dimethylamino ethanol (fluorocholine precursor) were purchased from Sigma Aldrich. Boc-Boc-Nosyl FLT precursor is the intellectual property of Siemens Molecular Imaging and Biomarker Research. [^{18}F]FAZA precursor and unlabeled reference standard were purchased from Prof. Friedrich Hammerschmidt (Universität Wien, Austria) and Prof. Hans-Jürgen Machulla (Steinbeis Transfer Center Radiopharmacy, Germany), and used as received. [^{18}F]FEOBV standard and precursor were synthesized in house.

Other synthesis components were obtained as follows: sterile filters were obtained from Millipore; sterile product vials were purchased from Hollister-Stier; [^{18}O]H $_2$ O was purchased from ABX Advanced Biochemical Compounds; silica, plus-CM light, alumina-light, C18-light and QMA-light Sep-Paks were purchased from Waters Corporation. Plus-CM light, alumina-light, C18-light and QMA-light Sep-Pak's were flushed with 10 mL of ethanol followed by 10 mL of sterile water prior to use. Silica Sep-Paks were used for preparation of [^{18}F]fluorocholine without preconditioning.

General procedure for azeotropic drying of [^{18}F]fluoride

Fluoride-18 at the University of Michigan was produced via the $^{18}\text{O}(\text{p},\text{n})^{18}\text{F}$ nuclear reaction using a GEMS PETTrace cyclotron equipped with a high yield fluorine-18 target. Fluoride-18 was delivered from the cyclotron (in a 1.5 mL bolus of [^{18}O]H $_2$ O) and trapped on a QMA-light Sep-Pak to remove [^{18}O]H $_2$ O. Fluoride-18 was then typically eluted into the reaction vessel using aqueous potassium carbonate (3.0–3.5 mg in 0.4–0.5 mL water). A solution of kryptofix-2.2.2 (15–20 mg in 1 mL of acetonitrile) was then added to the reaction vessel and the fluoride-18 was dried by evaporating the water–acetonitrile azeotrope. Evaporation of the azeotrope was achieved by heating the reaction vessel to 80°C and drawing full vacuum for 4 min. After this time, the reaction vessel was cooled to 60°C and subjected to both an argon stream and the vacuum simultaneously for an additional 4 min.

Tracerlab production with HPLC purification

Production of [^{18}F]FLT

Introduction: 3'-Deoxy-3'-[^{18}F]fluorothymidine ([^{18}F]FLT) is a PET tracer based upon the DNA base thymidine. FLT does not get incorporated into DNA directly, but is similar enough to thymidine that it gets phosphorylated by the same enzyme (thymidine kinase-1) and trapped in the cell. Therefore, it can be used to image tumor cell proliferation. FLT was originally reported by Shields *et al.* in 1998²³ and, after extensive development over the last decade, is now in global clinical trials. For example, FLT is in Phase 2/3 clinical trials in the United States and the Society of Nuclear Medicine (SNM) has a multi-center Investigational New Drug (IND) application approved by the US Food and Drug Administration (FDA). These factors all indicate that FLT is *en route* to becoming a standard of care PET biomarker for oncologists and to date it has been used to effectively diagnose and monitor many different cancers, including brain, lung, breast and esophageal tumors. A Scifinder search for [^{18}F]FLT returns over 200 articles and referencing all of them is beyond the scope of this paper. However, the extensive use of [^{18}F]FLT in oncological PET imaging has been recently reviewed by Been *et al.*²⁴

A number of synthetic routes and precursors have been reported for the production of [^{18}F]FLT with varying degrees of success.^{17,25–29} The [^{18}F]FLT production method disclosed herein has been tested using the Boc-Boc-Nosyl, DMT-Boc-Nosyl and 2,3'-anhydro-cyclic precursors and all can be used to prepare [^{18}F]FLT. We have found the Boc-Boc-Nosyl precursor, reported by Walsh and Padgett,²⁵ very effective because it provides [^{18}F]FLT in high yields (23% nondecay corrected) and eliminates purification and QC issues associated with DMT contaminants, although to the best of our knowledge this precursor is not yet commercially available. Therefore, in addition to the Boc-Boc-Nosyl method, a synthetic strategy using the standard commercially available 2,3'-anhydro-cyclic precursor is also reported herein.

Synthesis procedures

Method A: Boc-Boc-Nosyl precursor: To prepare FLT using Method A, the Tracerlab synthesis module was used in the original 'out-of-the-box' configuration illustrated in Figure 3 and reagent vials were loaded as follows: Vial 1: potassium carbonate (3.0 mg in 0.4 mL water); Vial 2: kryptofix-2.2.2 (20 mg in 1 mL MeCN); Vial 3: Boc-Boc-Nosyl FLT precursor (17.5 mg in 1.0 mL MeCN); Vial 4: HCl (1M, 1.0 mL); Vial 5: Aq. NaOAc (2M, 0.5 mL).

Following drying of the fluoride using the general procedure, Boc-Boc-Nosyl FLT precursor (17.5 mg in 1 mL MeCN) was added and the reaction vessel was heated at 135°C for 3 min. The acetonitrile reaction solvent was then evaporated and 1 M HCl (1.0 mL) was added to remove the Boc groups. The deprotection was heated at 110°C for 5 min after which time the reaction vessel was cooled to room temperature and neutralized with 2 M NaOAc (0.5 mL). The crude reaction mixture was diluted, passed through an alumina Sep-Pak to remove unreacted fluoride-18 and purified by semi-preparative HPLC (column: Phenomenex Synergi Hydro-RP, 250 × 10 mm; mobile phase: 8% EtOH : 92% 21 mM sodium phosphate (v/v); flow rate: 5.5 mL/min). A typical trace is shown in Figure 4. The peak corresponding to [^{18}F]FLT was collected into the collection vial of the TracerLab, from which it was then passed through an alumina Sep-Pak and sterile filter into a sterile dose vial. Doses were released for quality control testing as described in *Quality Control Procedures* section, and the yield of [^{18}F]FLT using this method is 23% (nondecay corrected, $n = 5$).

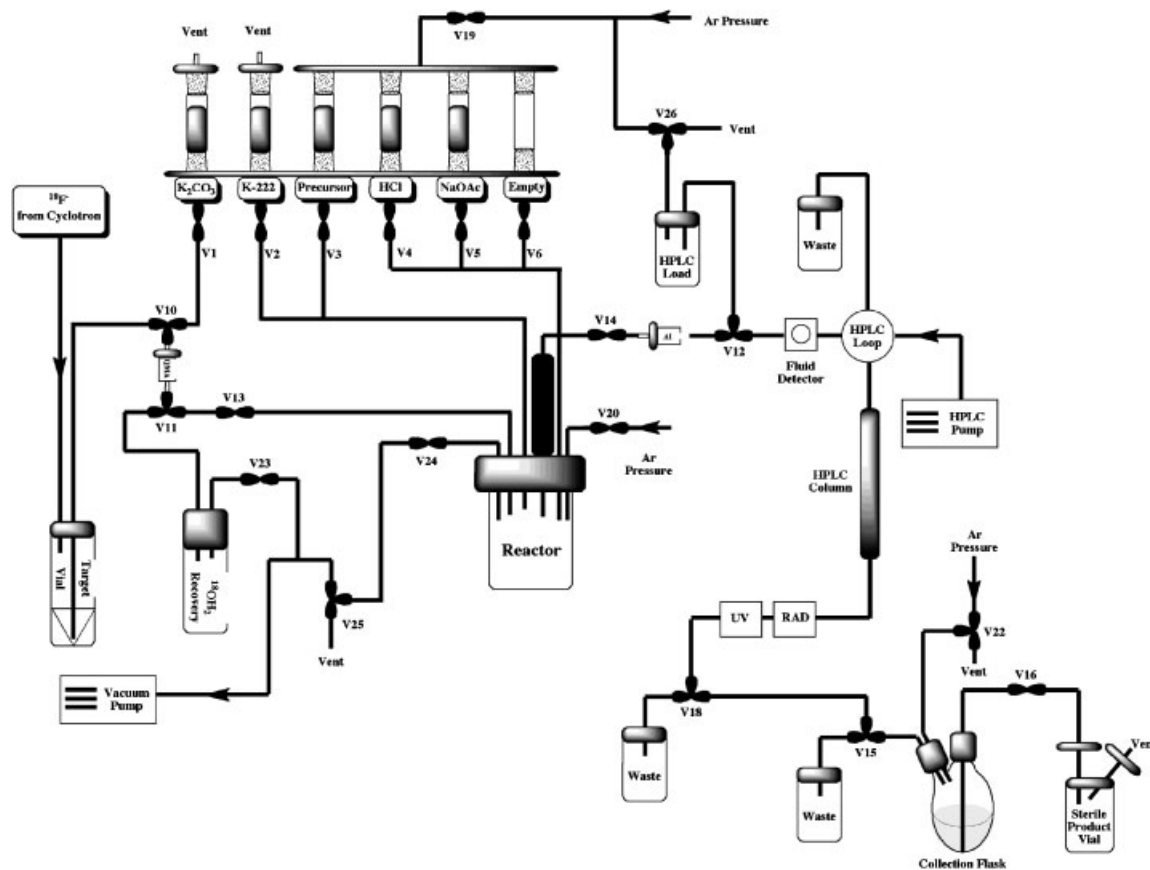


Figure 3. Standard HPLC Tracerlab FX_{FN} configuration for production of [¹⁸F]FLT or [¹⁸F]FAZA.

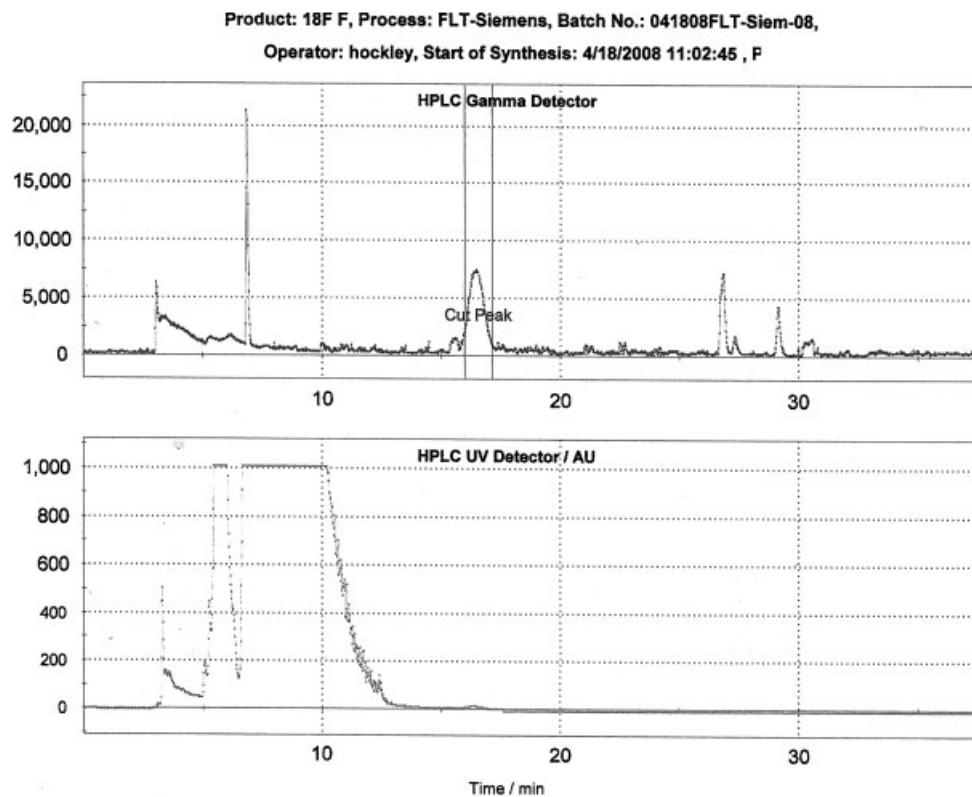


Figure 4. Semi-preparative HPLC Trace for [¹⁸F]FLT (Method A).

Method B: 2,3'-anhydro-cyclic precursor: To prepare FLT using Method B, the Tracerlab synthesis module was used in the original 'out-of-the-box' configuration illustrated in Figure 3 and reagent vials were loaded as follows: Vial 1: potassium carbonate (3.5 mg in 0.5 mL water); Vial 2: kryptofix-2.2.2 (15 mg in 1 mL MeCN); Vial 3: 2,3'-anhydro-cyclic precursor (10 mg in 1.0 mL DMSO); Vial 4: NaOH (0.25 M, 0.35 mL); Vial 5: aq. sodium dihydrogen phosphate (0.25 M, 0.75 mL); Vial 6: semi-preparative HPLC mobile phase (5% EtOH: 95% 10 mM sodium dihydrogen-phosphate, 1.75 mL).

Following drying of the fluoride using the general procedure, 2,3'-anhydro-cyclic FLT precursor (10 mg in 1 mL DMSO) was added and the reaction vessel was heated at 160°C for 10 min. After this time the reaction was cooled to 50°C and 0.25 M NaOH (0.35 mL) was added for deprotection. The deprotection was heated at 50°C for 4 min after which time the reaction was neutralized with 0.25 M aq. sodium dihydrogen phosphate (0.75 mL). The crude reaction mixture was diluted with 1.75 mL of HPLC mobile phase, passed through an alumina Sep-Pak to remove unreacted fluoride-18 and purified by semi-preparative HPLC (column: Alltech Econosphere C18 10 μ , 250 \times 10 mm; mobile phase: 5% EtOH : 95% 10 mM sodium dihydrogenphosphate (v/v); flow rate: 5.0 mL/min). A representative HPLC trace is illustrated in Figure 5. The peak corresponding to [¹⁸F]FLT was collected into the collection vial of the TracerLab, from which it was then passed through a sterile Millipore Millex-GS filter into a sterile dose vial. Doses were released for quality control testing as described in *Quality Control Procedures* section, and the yield of [¹⁸F]FLT using this method is 4.2% (nondecay corrected, $n = 25$).

Production of [¹⁸F]FAZA

Introduction: Tumor hypoxia results when tumor cells have been deprived of oxygen, frequently occurring when a tumor has outgrown its blood supply. It is important to determine if a tumor is hypoxic as soon as possible, because such tumors are typically resistant to radiotherapy and chemotherapy and require alternative treatment strategies. 2-Nitroimidazoles are an important class of compound known to be retained in higher levels in hypoxic tumor cells than the corresponding normoxic cells. The reason for the increased uptake is that in a hypoxic environment 2-nitroimidazoles undergo intracellular reduction which leads to fragmentation into species which are unable to pass back out of the cell. An analogous process is also known to occur in myocardial ischemia. 2-Nitroimidazoles have therefore been adapted for use in molecular imaging of hypoxia. For example, radioactive 2-nitroimidazole derivatives have been prepared, such as [¹⁸F]-fluoroazomycin arabinoside ([¹⁸F]FAZA),³⁰⁻³⁵ that are finding widespread use in diagnosis of tumor hypoxia and monitoring subsequent response to therapy.

Synthesis procedures: To prepare FAZA, the Tracerlab synthesis module was used in the original 'out-of-the-box' configuration illustrated in Figure 3 and reagent vials were loaded as follows: Vial 1: potassium carbonate (3.5 mg in 0.5 mL water); Vial 2: kryptofix-2.2.2 (15 mg in 1 mL MeCN); Vial 3: FAZA precursor (5 mg in 0.7 mL DMSO); Vial 4: NaOH (0.1 M, 1.0 mL); Vial 5: aq. sodium dihydrogen phosphate (0.25 M, 0.5 mL); Vial 6: semi-preparative HPLC mobile phase (3% EtOH : 97% 10 mM sodium dihydrogen-phosphate, 1.0 mL).

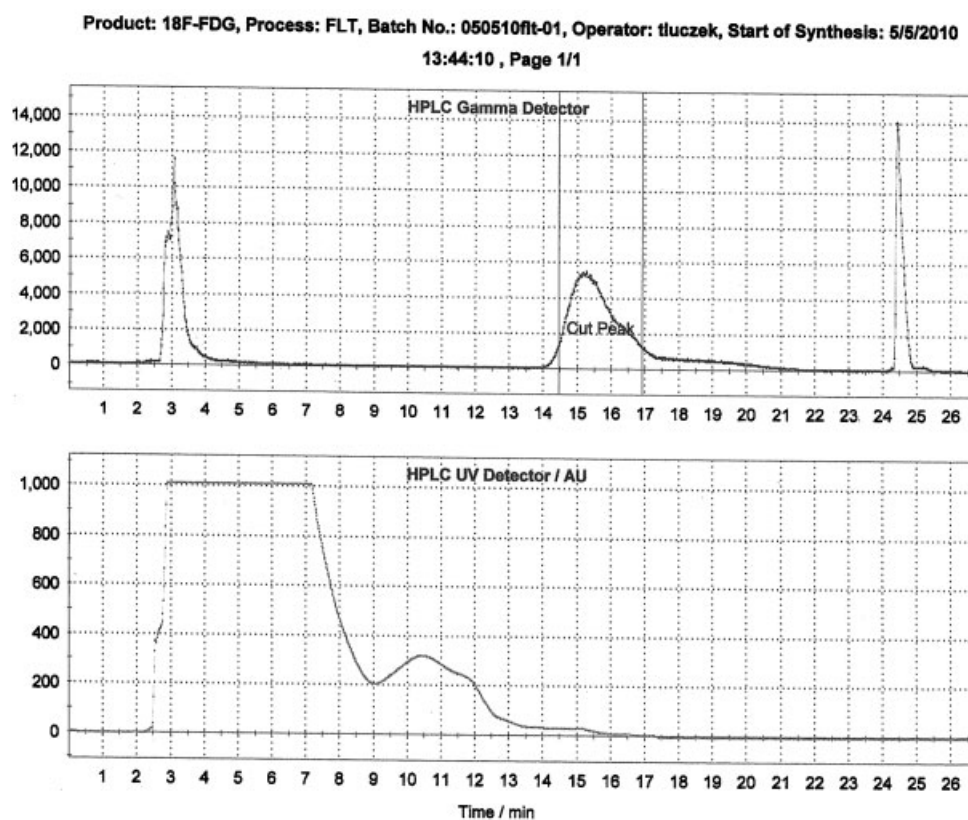


Figure 5. Semi-preparative HPLC Trace for [¹⁸F]FLT (Method B).

Following drying of the fluoride using the general procedure, a solution of [^{18}F]FAZA precursor (5 mg) in anhydrous DMSO (0.7 mL) was added to the dried [^{18}F]fluoride and the reaction was heated to 100°C with stirring for 10 min. After this time, the reaction was cooled to 40°C and 0.1 M aqueous sodium hydroxide (1 mL) was added. The reaction was stirred for 5 min at 40°C to hydrolyze the acetate protecting groups. After hydrolysis, the crude reaction mixture was diluted with 0.25 M aqueous sodium dihydrogen phosphate solution (0.5 mL) and HPLC mobile phase (1 mL). The diluted reaction mixture was passed through an alumina Sep-P ak cartridge and then purified by semi-preparative HPLC (column: Alltech Econsosphere C18 10 μ , 250 \times 10 mm; mobile phase: 3% ethanol: 97% 10 mM sodium dihydrogenphosphate (v/v); flow rate: 4 mL/min). The fraction corresponding to [^{18}F]FAZA (typically eluting between 20 and 23 min as shown in Figure 6) was collected for 1 min into a vial precharged with 0.9% sodium chloride, USP (3.8 mL) and sodium phosphates, USP (0.2 mL). The final formulation (8 mL) was then passed through a sterile filter into a sterile vial to provide [^{18}F]FAZA in an isotonic solution released for quality control testing as outlined in *Quality Control Procedures* section. Typical yield of [^{18}F]FAZA prepared using this method is 4.8% (nondecay corrected, $n = 25$).

Tracerlab production with HPLC purification and SPE reformulation

Production of [^{18}F]MPPF

Introduction: The serotonin (5-hydroxytryptamine, 5-HT) receptors are involved in a range of CNS functions but conversely

have also been implicated in a range of psychiatric disorders such as depression, epilepsy, anxiety, Alzheimer's disease and schizophrenia. Therefore, PET radiopharmaceuticals capable of monitoring 5-HT receptor activity in the brain have potential for diagnosing and monitoring response to treatment, a concept recently reviewed by Pike.³⁶ Indeed, [carbonyl- ^{11}C]WAY-100635 has been used routinely to detect 5-HT_{1A} receptors for many years now. However, the synthesis of [carbonyl- ^{11}C]WAY-100635 involves a Grignard reagent and, despite the efforts of many groups^{37–40} and recent improvements,⁴¹ in our hands production has always proven somewhat unreliable. Therefore, we wished to make an alternative radiopharmaceutical available to those physicians wishing to quantify 5-HT_{1A} receptor activity, with the aim ultimately of phasing out production of [carbonyl- ^{11}C]WAY-100635. With this goal in mind, we have just completed site qualification for clinical production of [^{18}F]MPPF, a fluorinated analog of WAY, at the University of Michigan.

[^{18}F]MPPF has been shown to have very high selectivity for 5-HT_{1A} receptors ($K_i = 3.3 \pm 0.8$ nM) and its use in both clinical and preclinical PET imaging of 5-HT_{1A} receptors has been recently reviewed.⁴² Originally, the iodinated derivative ([^{125}I]MPPI) was reported in 1994 by Kung and co-workers⁴³ and subsequently, in 1997, they also prepared the fluorinated analog ([^{18}F]MPPF).⁴⁴ In contrast to WAY, [^{18}F]MPPF can simply be prepared by nucleophilic fluorination, HPLC purification and subsequent reformulation—such conditions have been optimized by Le Bars *et al.*⁴⁵

Synthesis procedures: To prepare [^{18}F]MPPF, the Tracerlab FX_{FN} was configured as shown in Figure 7, incorporating the dilution flask for the reformulation process, and reagent vials were

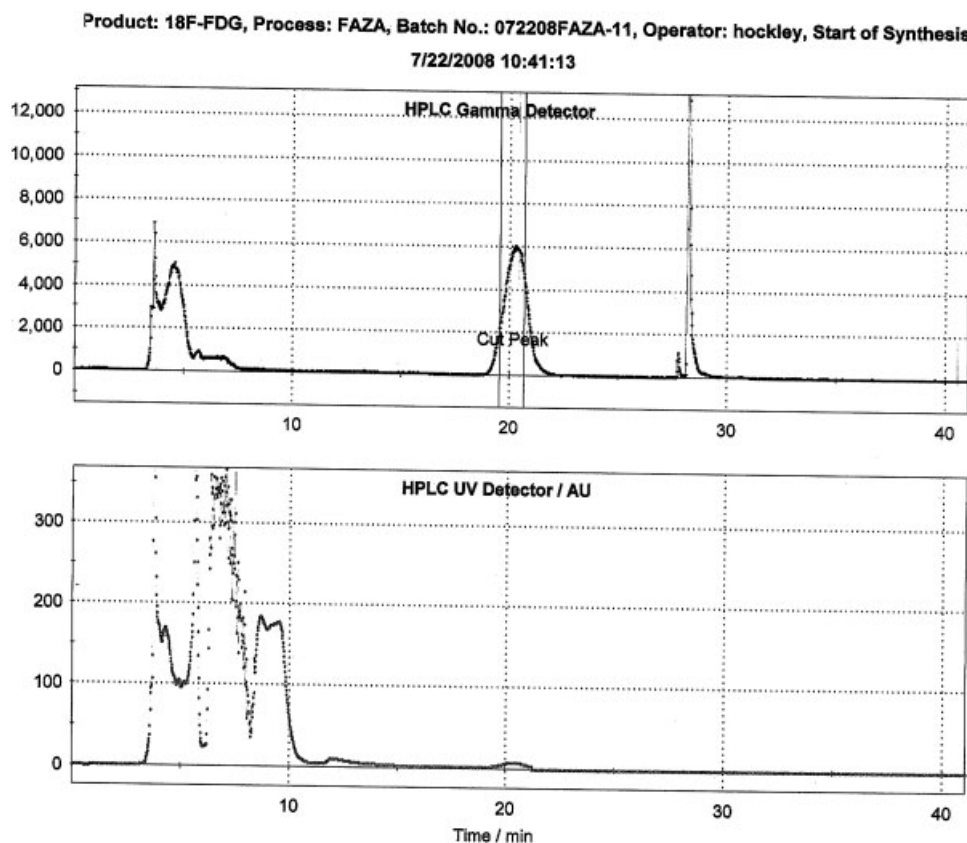


Figure 6. Semi-preparative HPLC Trace for [^{18}F]FAZA.

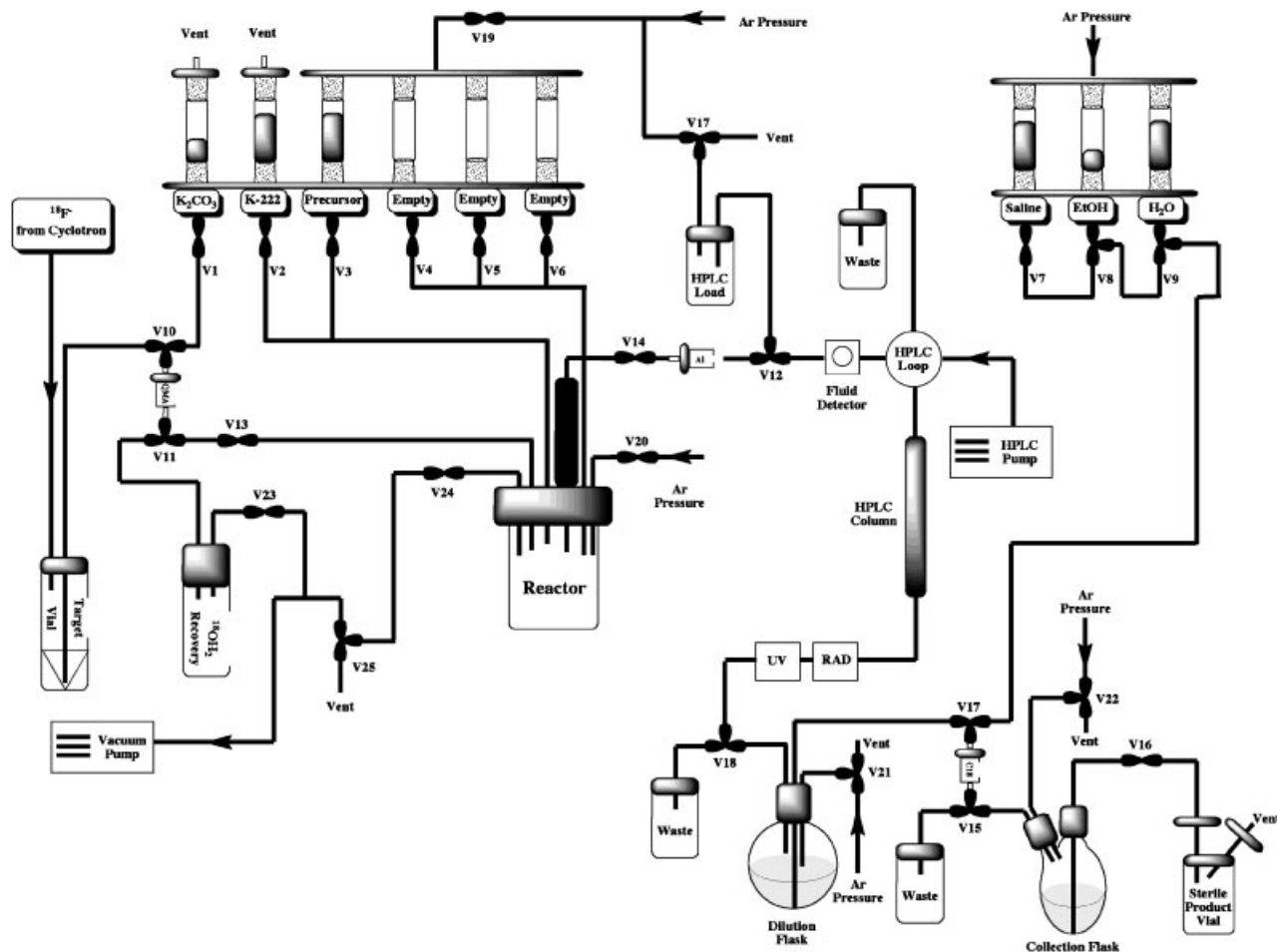


Figure 7. Standard HPLC/Reformulation Tracerlab FX_{FN} configuration for production of [¹⁸F]MPPF or [¹⁸F]FEOBV.

loaded as follows: Vial 1: potassium carbonate (3.5 mg in 0.5 mL water); Vial 2: kryptofix-2.2.2 (15 mg in 1 mL MeCN); Vial 3: MPPF precursor (10 mg in 0.5 mL DMSO); Vial 6: HPLC mobile phase (3.0 mL), Vial 7: 0.9% sodium chloride for injection, USP (9.5 mL); Vial 8: ethanol (0.5 mL); Vial 9: sterile water for injection, USP (12 mL); round-bottomed flask: water (50 mL).

Following drying of the fluoride using the general procedure, MPPF precursor (10 mg in 0.5 mL DMSO) was then added and the reaction vessel was heated at 140°C for 20 min. After this time, the reaction vessel was cooled to room temperature and the crude reaction mixture was diluted, passed through an alumina Sep-Pak and purified by semi-preparative HPLC (column: Phenomenex Luna C18, 250 × 10 mm; mobile phase: 55% 50 mM NaOAc (pH=5) : 18% THF : 27% MeOH (v/v); flow rate: 5 mL/min). A representative HPLC trace is shown in Figure 8. The fraction corresponding to [¹⁸F]MPPF was collected into the round-bottomed dilution flask and simultaneously diluted into sterile water. This solution was then passed through a Waters SDB-XC Sep-Pak to trap the [¹⁸F]MPPF while washing away acetonitrile left over from the HPLC buffer. Following trapping, the cartridge was rinsed with sterile water (12 mL). [¹⁸F]MPPF was then eluted into the collection vial with ethanol (0.5 mL) and diluted with sterile saline (9.5 mL). The dose was then passed through a sterile filter into a sterile dose vial and released for QC testing as per *Quality Control Procedures* section. Typical yields of [¹⁸F]MPPF using this method were 8.8% (nondecay corrected, *n* = 28).

Production of [¹⁸F]FEOBV

Introduction: Loss of cholinergic neurons has been documented in a number of prevalent neurodegenerative diseases such as Alzheimer's Disease and the parkinsonian dementias.^{46–49} Furthermore, cholinergic function has been shown to correlate with cognitive function parameters.^{50,51} There has therefore been great interest in developing imaging agents to reliably quantify cholinergic function *in vivo*. One such approach targets the vesicular ACh transporter (VACHT) in cholinergic terminals with radiolabeled forms of the drug vesamicol.⁵² A mounting body of evidence points to VACHT as being a very specific marker of cholinergic terminals, spurring a search for suitable radioligands for measuring VACHT *in vivo*. With this goal in mind, we have studied a class of analogs called benzovesamicols, discovered by Rogers *et al.*,⁵³ and identified a number of novel radiolabeled benzovesamicol analogs which distribute *in vivo* in patterns that correlate closely with the densities of marker proteins of the cholinergic nerve terminal.⁵⁴ Analogues with radioiodine, carbon-11, or fluorine-18 labels at the 5 position of the 2-hydroxy-3-*N*-(4-phenyl)-piperidino-tetralin frame-work, which we term 5-substituted-benzovesamicols, have shown particularly favorable imaging properties. Human SPECT imaging studies with the [¹²³I]labeled benzovesamicol analogue [¹²³I]BVM show decreases in tracer binding in several brain regions of AD patients.^{55,56} These studies offer encouragement that appropriate benzovesamicol

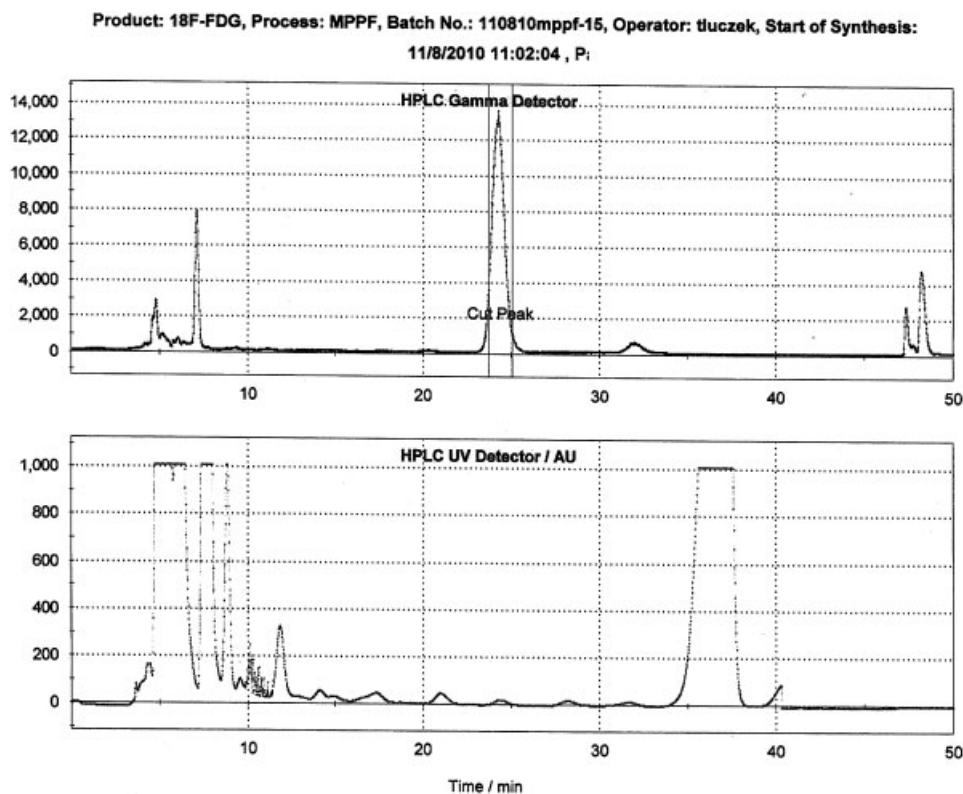


Figure 8. Semi-preparative HPLC trace for [^{18}F]MPPF.

tracers can map cholinergic neurons and gauge the functional integrity of cholinergic synapses in human subjects.

With the aim of extending human benzovesamicol imaging studies to a higher level of precision with PET, we have developed the novel fluorine-18-labeled agent, 5-fluoroethoxybenzovesamicol ([^{18}F]-(-)FEOBV). We have conducted extensive preclinical evaluation of [^{18}F]FEOBV,^{57,58} and the results have been extremely promising. Therefore, we have recently submitted an exploratory IND application to the US FDA to permit introduction of [^{18}F]FEOBV as an investigational cholinergic synaptic tracer for human PET imaging studies.

Synthesis procedures: To prepare [^{18}F]FEOBV, the Tracerlab FX_{FN} was configured as shown in Figure 7, incorporating the dilution flask for the reformulation process, and reagent vials were loaded as follows: Vial 1: potassium carbonate (3.5 mg in 0.5 mL water); Vial 2: kryptofix-2.2.2 (15 mg in 1 mL MeCN); Vial 3: FEOBV precursor (0.2–0.5 mg in 0.5 mL DMSO); Vial 6: sterile water (2.0 mL)/acetonitrile (1.5 mL); Vial 7: 0.9% sodium chloride for injection, USP (9.5 mL); Vial 8: ethanol (0.5 mL); Vial 9: sterile water for injection, USP (10 mL); round-bottomed dilution flask: sterile water (40 mL).

Following drying of the fluoride using the general procedure FEOBV precursor (0.2–0.5 mg) dissolved in anhydrous DMSO (0.5 mL) was then added to the reactor vessel. The reaction mixture was then heated at 120°C for 10 min and then cooled to 50°C. The resulting mixture was diluted with 3.5 mL of an aqueous acetonitrile solution. The diluted reaction mixture was passed through a Sep-Pak Light Alumina-N, and loaded onto a semi-preparative HPLC (column: Phenomenex Synergi Polar-RP, 10 × 250 mm; mobile phase: 45% MeCN : 55% aqueous 50 mM ammonium acetate; flow rate=4 mL/min). The single peak

corresponding to [^{18}F]FEOBV eluted between 30 and 40 min (Figure 9). That product fraction was collected, diluted into 40 mL of sterile water, and passed through a C-18 Sep-Pak which was then washed with 10 mL of sterile water. [^{18}F]FEOBV was then eluted with 0.5 mL of EtOH (USP for injection) and collected in the Tracerlab FX_{FN} product vial. The Sep-Pak was washed with 9.5 mL of saline to bring the final formulation volume to 10 mL. The final drug product was dispensed into a septum sealed, sterile, pyrogen-free glass vial through a 0.22 μm sterile filter and submitted for QC testing as outlined in *Quality Control Procedures* section. Typical yields of [^{18}F]FEOBV using this method were 9.4% (nondecay corrected, $n = 10$).

Tracerlab production with SPE purification

Production of [^{18}F]sodium fluoride

Introduction: Globally, about 70 000 nuclear medicine diagnostic imaging procedures, including bone imaging, are performed using technetium-99m every day.⁵⁹ Technetium-99m is obtained as the decay product from molybdenum-99, but despite this demand, only six nuclear reactors worldwide are capable of producing molybdenum-99. During 2009, the Chalk River nuclear reactor in Canada has been shutdown for unscheduled repairs leaving thousands of hospitals in North America without a supply of technetium-99m and a crisis in the molecular imaging community.^{59,60}

Consequently, alternatives to technetium-99m scans are in high demand and [^{18}F]sodium fluoride represents an easily accessible PET imaging alternative to technetium-99m bone imaging agents.^{61,62} In an effort to address the worldwide

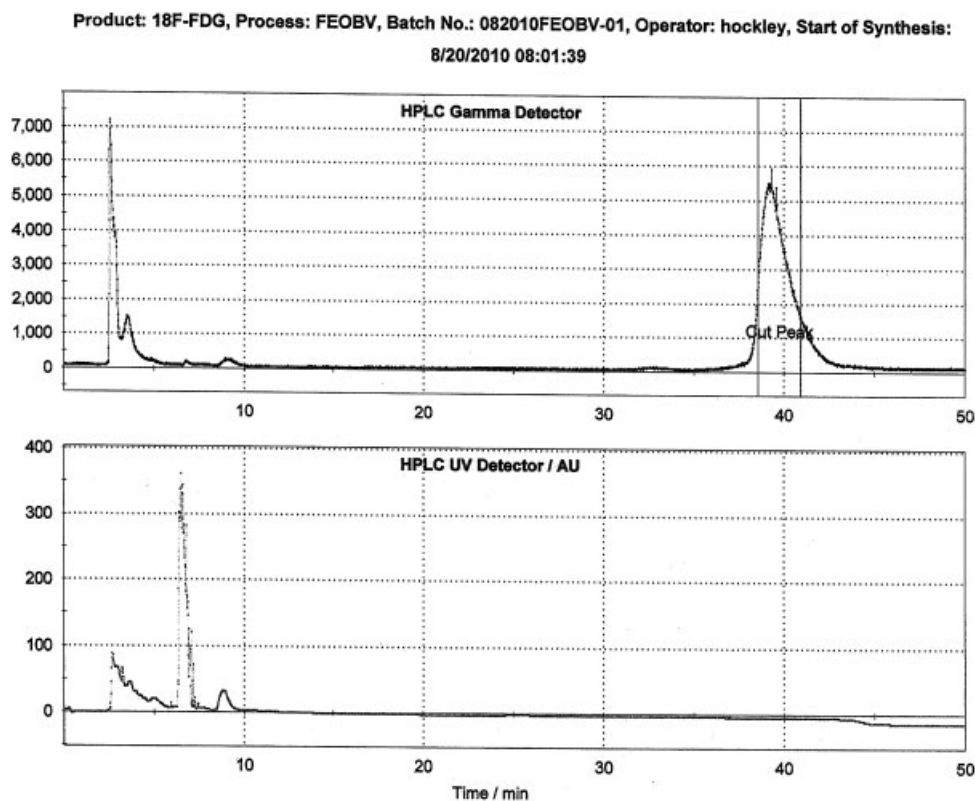


Figure 9. Semi-preparative HPLC trace for [^{18}F]FEOBV.

shortage of technetium-99m, the US Centers for Medicare and Medicaid Services (CMS) are investigating the effectiveness of [^{18}F]sodium fluoride as an imaging agent for bone metastasis (to monitor the spread of, for example, breast cancer to the bone) and is re-evaluating their noncoverage policy. In 2010 they agreed limited reimbursement for those patients on a clinical trial and therefore, PET centers worldwide have an immediate and urgent need for easy access to [^{18}F]sodium fluoride suitable for clinical use.

Synthesis procedures: We recently reported a preparation of [^{18}F]sodium fluoride,¹³ in which a Tracerlab FX_{FN} was reconfigured to allow full automation of the method for producing sodium fluoride reported by Nandy *et al.*⁶³ The Tracerlab was configured as shown in Figure 10 and vials were loaded as follows: vial 7: 0.9% sodium chloride, USP for injection (10 mL); vial 9: sterile water for injection, USP (10 mL); dilution flask sterile water for injection, USP (10 mL). The delivery line from the cyclotron was connected to the dilution flask *via* plastic luer lock fittings which enable easy switching between delivery of fluoride to the target vial for a routine synthesis, and delivery to the dilution flask for preparation of [^{18}F]sodium fluoride. Furthermore, these fittings allow easy incorporation of Sep-Paks into the target delivery line.

A QMA-light Sep-Pak, preconditioned by flushing with ethanol (10 mL) followed by Sterile Water for Injection, USP (10 mL), was placed in the C18 cradle (between V15 and V17), a Plus-CM cation exchange cartridge was incorporated into the target delivery line and a sterile product vial with appropriate sterile filters was attached to the product delivery line. Note that since [^{18}F]sodium fluoride is prepared using the reformulation portion of the Tracerlab FX_{FN} synthesis module, a feature that is

common to other Tracerlab modules including the Tracerlab FX_{C-pro}, this method can easily be transferred to other synthesis modules.

Fluoride-18 was delivered to the dilution flask through an in-line Plus-CM cation exchange cartridge (to remove positively charged recoil nuclei generated concomitantly with fluoride-18 in the cyclotron target). Following completion of the cyclotron delivery, the solution of fluoride-18 was then transferred (Ar pressure) through the QMA-light Sep-Pak, trapping the fluoride-18 and passing the water to waste. Following trapping, the QMA-light Sep-Pak was then washed with an additional 10 mL of Sterile Water for Injection, USP to remove residual [^{18}O]H₂O. The fluoride-18 was then eluted into the Tracerlab collection vial using 0.9% Sodium Chloride (10 mL) with concomitant generation of [^{18}F]sodium fluoride. The 10 mL dose was passed through a sterile Millipore Millex-GS filter into a sterile dose vial and submitted for quality control testing (see *experimental* section). Typical yields of [^{18}F]sodium fluoride were > 95% (nondecay corrected, $n = 10$).

Production of [^{18}F]fluorocholine

Introduction: Choline is a salt that is found in all cells where it is essential for the biosynthesis of phospholipids.⁶⁴ Such phospholipids are then incorporated into cell membranes and therefore radiolabeled analogs of choline can be used to monitor the rate of production of cell membranes *in vivo*, and thus rate of cell proliferation. Like [^{18}F]FLT, radiolabeled choline derivatives find widespread use in clinical PET imaging of tumors and [^{11}C]choline has been used as a biomarker to image human brain, lung and prostate tumors.^{65,66}

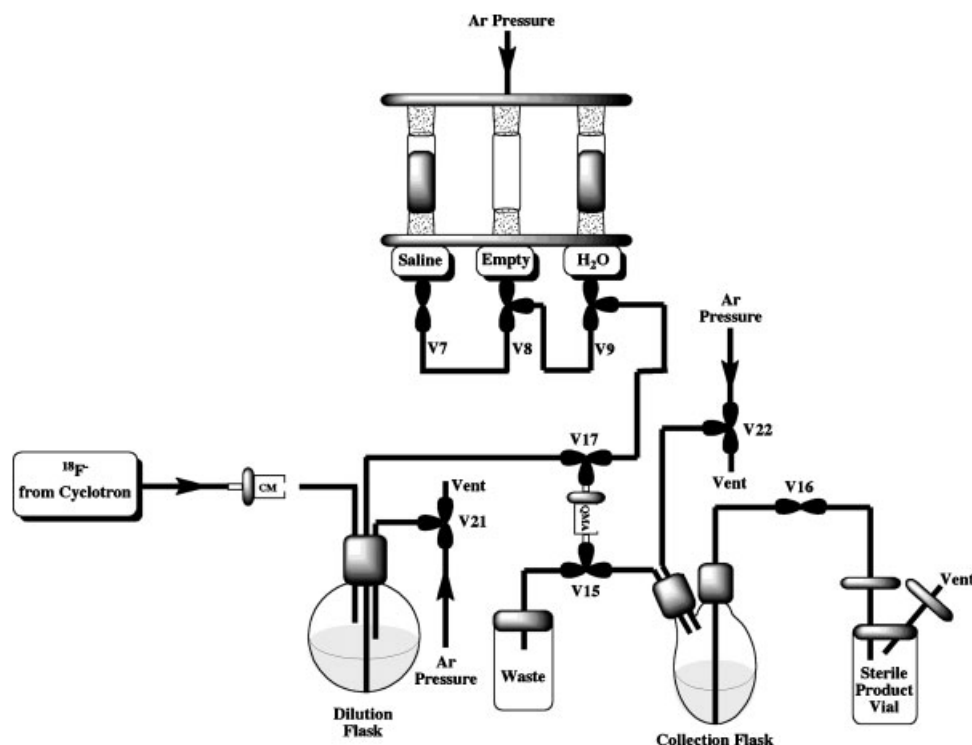


Figure 10. Modified Tracerlab FX_{FN} configuration for [¹⁸F]sodium fluoride production.

However, as the field of PET imaging expands and demand for PET tracers at hospitals not possessing a cyclotron continues to grow, there is a concerted effort toward developing the corresponding fluorine-18-labeled analogs of high demand carbon-11-labeled radiopharmaceuticals. The favorable half-life of fluorine-18 (110 min), when compared with that of carbon-11 (20 min), facilitates distribution of radiopharmaceuticals from radiochemistry production facilities to satellite PET centers that do not possess cyclotrons. With this in mind, in 2001 DeGrado *et al.* reported a synthesis of [¹⁸F]fluorocholine from the reactive intermediate [¹⁸F]fluorobromomethane.^{67,68} Subsequently, others have also prepared [¹⁸F]fluorocholine from [¹⁸F]fluoromethyl triflate.⁶⁹ DeGrado's method has also been adapted for SPE purification, allowing automated production of [¹⁸F]fluorocholine on a TracerLab MX_{FDG}, by Kryza *et al.*¹⁵

As the demand for [¹⁸F]fluorocholine from our PET center has increased heavily of late, we decided to adapt Kryza's method for use on a TracerLab FX_{FN}, and herein report the first results from these research efforts.

Synthesis procedures: The TracerLab FX_{FN} was configured as shown in Figure 11 and the reagent vials were loaded as follows: Vial 1: potassium carbonate (3.5 mg in 0.5 mL water); Vial 2: kryptofix-2.2.2 (15 mg in 1 mL MeCN); Vial 3: dibromomethane (300 μL in 0.7 mL MeCN); Vial 7: sterile water for injection, USP (15 mL); Vial 8: 0.9% sodium chloride for injection, USP (3.0 mL); Vial 9: ethanol (10.0 mL); C-18 Sep-Pak light: precharged with *N,N*-dimethylamino ethanol (1 mL).

The front end of the synthesis module was configured as for a typical radiofluorination reaction. The line from the reactor needle out through V14 (normally connected to an alumina cartridge as shown in Figures 3 and 4) was connected to 3 × silica Sep-Pak cartridges connected in series. The third silica cartridge was then connected (by luer fitting) to V17.

N,N-Dimethylamino ethanol (400 μL) was loaded onto a C18 Sep-Pak and then this was stacked on top of a CM-plus Sep-Pak in the Tracerlab FX_{FN} C18 cradle.

Following drying of the fluoride using the general procedure, dibromomethane precursor was added to the reactor and the reaction was heated to 95°C for 5 min. After this time, the reactor was cooled (40°C), and the [¹⁸F]fluorobromomethane was distilled through 3 × silica Sep-Paks, C18 Sep-Pak and, finally, the CM Sep-Pak to waste. The argon supply to the TracerLab FX_{FN} synthesis module is fixed at 40 psi and this was used to transfer the crude reaction mixture. 3 × silica Sep-Paks removed any unreacted dibromomethane (b.p. = 97°C) and acetonitrile (b.p. = 82°C) that, despite their higher boiling points, may otherwise have distilled over. Nonvolatile components, including kryptofix-2.2.2 and potassium carbonate, remained in the reaction vessel. In contrast, the volatility of [¹⁸F]fluorobromomethane (b.p. = 9°C) allowed pseudo-distillation over to valve-17 where it was trapped on the C18 cartridge and concomitantly reacted with DMAE (400 μL) to generate [¹⁸F]fluoromethylcholine. After 10 mins of distillation, the C18 Sep-Pak cartridge was washed with ethanol to elute the [¹⁸F]fluoromethylcholine as well as unreacted [¹⁸F]fluorobromomethane and DMAE. As [¹⁸F]fluoromethylcholine is positively charged it was trapped on the CM-Plus cation exchange resin, while the uncharged precursor species were washed to waste. The CM was then washed with Sterile Water for Injection, USP to remove any residual solvents and by-products. Finally, [¹⁸F]fluoromethylcholine was eluted from the CM-Plus Sep-Pak into the collection flask with sterile saline (3 mL). The dose was passed through a sterile filter into a sterile dose vial and released for quality control testing (*Quality Control Procedures* section). Typical nondecay corrected yields of [¹⁸F]fluoromethylcholine using this optimized production method were 5%, (*n* = 7). Doses

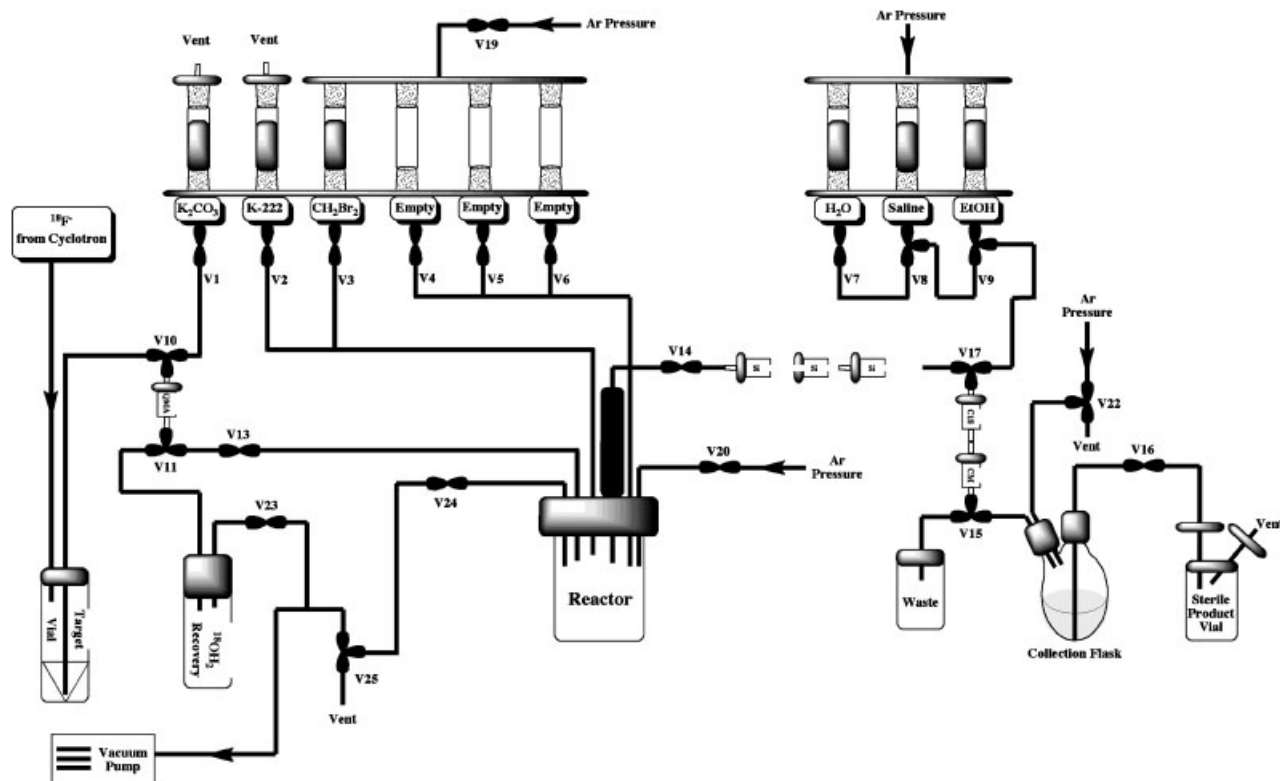


Figure 11. Modified Tracerlab FX_{FN} configuration for [¹⁸F]fluorocholine production.

were free of residual solvents, kryptofix-2.2.2 and dibromomethane, but were found to contain residual DMAE (100–000 µg/mL). The radiochemical yield of fluorocholine, and levels of residual DMAE, were similar to that reported by Kryza *et al.*,¹⁵ and proved acceptable for our current preclinical demands. Nevertheless, optimization of this chemistry, particularly exploiting recent improvements reported by Slaets *et al.*,⁷⁰ is ongoing in our laboratory.

Production of [¹⁸F]SFB

Introduction: Labeling of large bioactive molecules such as peptides, proteins and antibodies with fluorine-18 typically requires prior formation of a smaller labeled prosthetic group. A number of strategies have been reported which allow such labeling including alkylation, acylation, amidation and radio-click chemistry. Of these approaches, acylation with *N*-succinimidyl-4-[¹⁸F]fluorobenzoate ([¹⁸F]SFB) is the workhorse, routinely providing fluorine-18-labeled bioactive molecules in high radiochemical yield. Until recently, however, production of [¹⁸F]SFB was not trivial and required a three-step radiochemical synthesis which used multiple reaction vessels. Typically this is done manually,⁷¹ but the process has also been automated,^{16,72} although successful automation does require access to synthesis modules possessing multiple reaction vessels. A breakthrough came when Kabalka and co-workers reported a one-pot synthesis of [¹⁸F]SFB requiring only Sep-Pak purification.⁷³ We recently reported a fully automated synthesis of [¹⁸F]SFB, adapted from Kabalka's original report and exploiting the spectacular chemistry originally reported by Haka *et al.*,⁷⁴ using a Tracerlab FX_{FN} synthesis module.¹¹ Concurrent with our efforts

in this area, Tang *et al.* reported a related automated synthesis of [¹⁸F]SFB, also employing a Tracerlab FX_{FN}.²²

Synthesis procedures: To prepare [¹⁸F]SFB, the Tracerlab was configured as shown in Figure 12 and vials were loaded as follows: Vial 1: potassium carbonate (3.5 mg in 0.5 mL water); Vial 2: kryptofix-2.2.2 (15 mg in 1 mL MeCN); Vial 3: 4-(ethoxycarbonyl)-*N,N,N*-trimethylbenzenaminium triflate precursor (5 mg in 0.5 mL DMSO); Vial 4: TPAH (20 µL in 0.5 mL MeCN); Vial 5: acetonitrile (1 mL); Vial 6: TSTU (10 mg in 0.6 mL MeCN); Vial 7: MeCN (2 mL); Vial 9: 10% MeCN in water (10 mL); dilution flask: 5 mL of 5% acetic acid and 15 mL water.

Following drying of the fluoride using the general procedure, the trimethylbenzeneaminium triflate precursor (5 mg in 0.5 mL DMSO) was added to the reactor and the reaction vessel was heated to 90°C for 10 min to provide [¹⁸F]ethyl 4-fluorobenzoate. After this time, tetrapropylammonium hydroxide (TPAH, 20 µL in 0.5 mL MeCN) was added to saponify the ester group. Heating at 120°C for 3 min provides [¹⁸F]4-fluorobenzoic acid as the corresponding TPA salt. After saponification, *O*-(*N*-succinimidyl)-1,1,3,3-tetramethyluronium tetrafluoroborate (TSTU, 10 mg in 0.6 mL MeCN) was added and the reaction vessel was heated at 90°C for 5 min to provide [¹⁸F]SFB. The crude reaction mixture was then cooled down (40°C) and transferred to the round-bottomed dilution flask (precharged with 10 mL of 1.5% acetic acid) and the resulting solution was transferred through a Waters C18 Plus Sep-Pak. The C18 Sep-Pak was then washed with 10% MeCN (10 mL) to elute off unwanted hydrophilic impurities including unreacted fluoride-18. Following washing, [¹⁸F]SFB was eluted off into the collection vial with neat MeCN (2 mL). Typical yields of [¹⁸F]SFB using this method were 38% (nondecay corrected, *n* = 20) and radiochemical purity

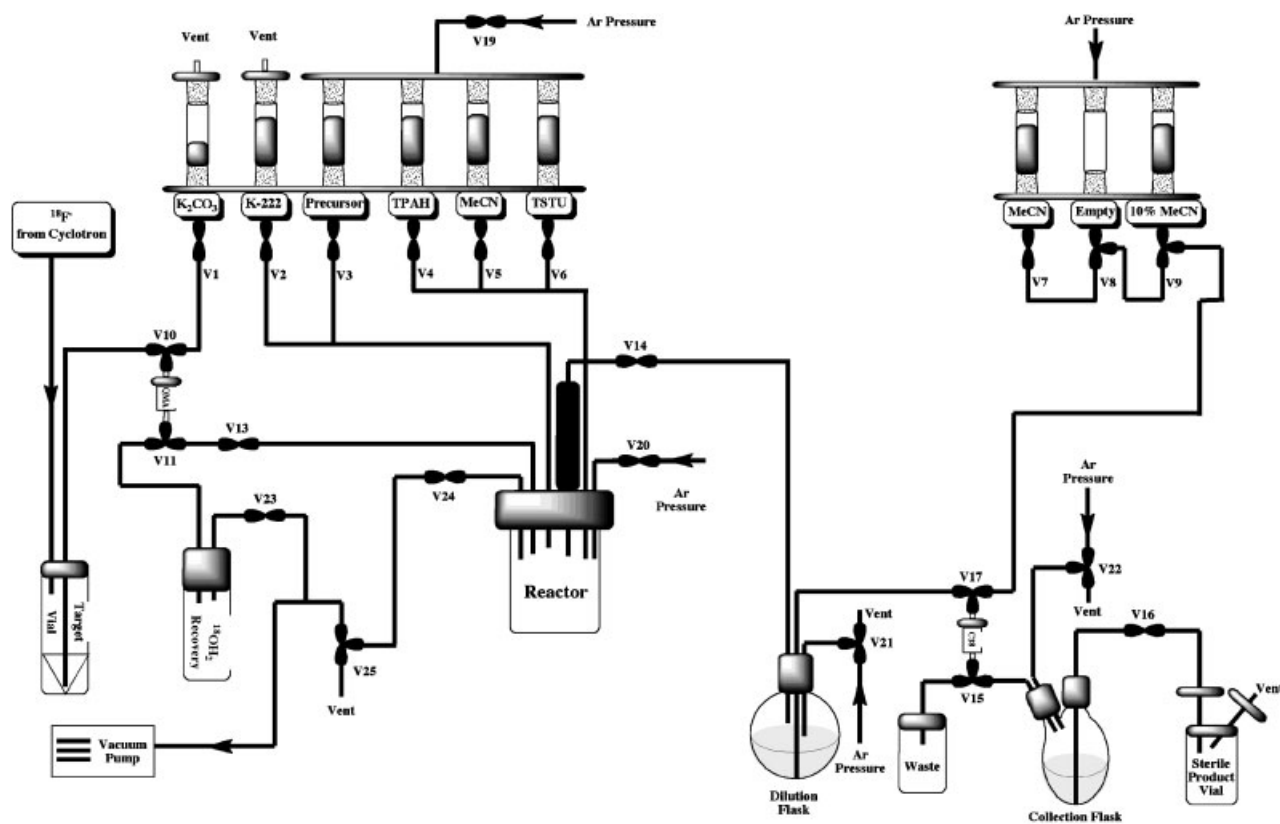


Figure 12. Modified Tracerlab FX_{FN} configuration for [¹⁸F]SFB production.

is always > 95%. The [¹⁸F]SFB can be used as the obtained solution in MeCN or, alternatively, can be evaporated to dryness (heat gun) and re-dissolved in a solvent more appropriate for the subsequent coupling reaction (e.g. DMSO).

Synthesis module cleaning

The radiopharmaceuticals described in the earlier sections can be prepared on a single Tracerlab FX_{FN}. Changing between module configurations is straightforward if the luer-lock fittings described in *Introduction* section are incorporated into the Tracerlab. However, module reconfiguration does raise the issue of how best to clean and dry the module between syntheses, especially syntheses using different module setups. In order to accomplish this reliably, the Tracerlab is returned to its basic configuration (Figure 3), after completion of a given synthesis, and then Clean, Clean-Disinfect, and Dry cycles are performed as outlined below. Note that the round-bottomed dilution flask and product collection vial are removed, washed and oven-dried separately between syntheses and after completion of the cleaning cycles. The reaction vessel should be checked afterwards to ensure cleanliness and can also be further cleaned and oven-dried manually if required. It is recommended that the reactor be cleaned in this fashion at least once a week.

Clean cycle

Vials 1, 4, 5, 6, 7 and 9 are charged with sterile water. The water from vials 1, 4, 5 and 6 is washed into the reactor and then out, through the HPLC load loop, to waste. Similarly, the water from vials 7 and 9 is washed through the lines connecting the

vials to V-17 and subsequently to waste. This ensures that the main lines of the synthesis module all get washed with sterile water.

Clean-disinfect cycle

Vials 1–6 are charged with 70% ethanol in sterile water. The 70% ethanol from all of the vials is washed into the reactor and then out, through the HPLC load loop, to waste. Moreover, 70% ethanol is pumped through the HPLC column and associated lines. During this cycle, the product collection vial is also washed with 70% ethanol to disinfect it. These steps ensure that the main lines of the synthesis module are sterilized during the clean and disinfect cycle, and that the HPLC column is stored under 70% ethanol between runs.

Dry cycle

Vials 1–6 are charged with acetone. The acetone from all of the vials is washed into the reactor and the reactor is then heated to 80°C for 5 min. After this time, the reactor is cooled and the acetone is pushed out, through the HPLC load loop, to waste. Subsequently, all of the vials and lines are dried with both argon pressure and vacuum over 20 min, to ensure that all water and acetone are removed from the synthesis module.

Quality control procedures

Quality control of radiopharmaceuticals prepared at the University of Michigan PET Center for clinical use is carried out according to the US Pharmacopeia [USP-32, NF-27, 2009] as

detailed below. After successfully meeting all release criteria, doses are released to physicians for clinical use.

Visual inspection

Doses are visually examined and must be clear, colorless and free of particulate matter.

Dose pH

The pH of the doses is analyzed by applying a small amount of the dose to colorpHast[®] pH 2.0–9.0 nonbleeding pH-indicator strips and determined by visual comparison to the scale provided.

Chemical purity and radiochemical purity/identity

Chemical and radiochemical purity/identity are analyzed using a Shimadzu VP-Series HPLC equipped with a Bioscan FC3300 radioactivity detector and either a conductivity detector ($[^{18}\text{F}]\text{NaF}$; $[^{18}\text{F}]\text{fluorocholeline}$) or a UV detector ($[^{18}\text{F}]\text{FLT}$, $[^{18}\text{F}]\text{FAZA}$, $[^{18}\text{F}]\text{MPPF}$, $[^{18}\text{F}]\text{FEOBV}$, $[^{18}\text{F}]\text{SFB}$) using conditions described below. While radiochemical purity for doses must be >95%, there are currently no chemical purity requirements for release of radiopharmaceuticals in clinical research. However, we calculate chemical purity by normalizing to a specific activity of 2 Ci/ μmol . Doses are typically 100% chemically pure. Radiochemical identity is confirmed and quantified by calculating the relative retention time ($\text{RRT} = [\text{retention time of radiochemical peak}] / [\text{retention time of unlabelled reference standard peak}]$).

$[^{18}\text{F}]\text{FLT}$

Condition A: Column: Phenomenex Luna C18(2) 5 μm , 150 \times 2.0 mm; mobile phase: 5% MeCN/20 mM NH_4OAc , pH: 4.5; flow rate: 0.5 mL/min; oven: 40°C; UV: 254 nm, RT = 6.5 min; **Condition B:** Column: Phenomenex Synergi Hydro-RP, 150 \times 4.6 mm; mobile phase: 10% EtOH in water; flow rate: 1.0 mL/min; UV: 254 nm, RT = 7.8 min $[^{19}\text{F}]\text{FLT}$ nonradioactive fluoride-19 reference standard was purchased from ABX Advanced Biochemicals.

$[^{18}\text{F}]\text{FAZA}$

Column: Phenomenex Luna C8(2) 5 μm , 100 \times 2.0 mm; 5% acetonitrile: 95% 20 mM aqueous ammonium acetate, pH 4.5; flow rate: 0.5 mL/min, UV = 254 nm, RT = 6.2 min. $[^{19}\text{F}]\text{FAZA}$ reference standard was purchased from Prof. Friedrich Hammerschmidt (Universität Wien, Austria) and Prof. Hans-Jürgen Machulla (Steinbeis Transfer Center Radiopharmacy, Germany).

$[^{18}\text{F}]\text{MPPF}$

Column: Phenomenex Luna C8(2) 5 μm , 100 \times 2.0 mm; mobile phase: 35% MeOH/20 mM NH_4OAc , pH: 4.5; flow rate: 0.8 mL/min; oven: 40°C; UV: 254 nm, RT = 5.6 min. $[^{19}\text{F}]\text{MPPF}$ nonradioactive reference standard was purchased from ABX Advanced Biochemicals.

$[^{18}\text{F}]\text{FEOBV}$

Column: Phenomenex Gemini C18 5 μm , 50 \times 2.0 mm; mobile phase: 40% acetonitrile, 60% water, 0.2% aqueous diethylamine; flow rate: 0.8 mL/min; oven: 40°C; UV: 260 nm, RT = 4.6–4.8 min. $[^{19}\text{F}]\text{FEOBV}$ nonradioactive reference standard was prepared in house.

$[^{18}\text{F}]\text{Sodium fluoride}$

Column: Phenomenex Rezex RHM-monosaccharide (hydrogen form), 300 \times 7.8 mm; mobile phase: 0.0015 M aqueous sulfuric acid; flow rate: 0.8 mL/min, RT = 8.8 min. Sodium fluoride (99.99%) was purchased from Sigma Aldrich and used as the nonradioactive fluoride-19 reference standard.

$[^{18}\text{F}]\text{Fluorocholeline}$

Column: Waters IC-Pak Cation M/D Column, 150 \times 3.9 mm; mobile phase: 5 mM aqueous hydrochloric acid, flow rate: 1.0 mL/min; conductivity detector: negative polarity, RT = 7.0 min. $[^{19}\text{F}]\text{Fluoromethyl choline}$ nonradioactive reference standard was purchased from ABX Advanced Biochemicals.

$[^{18}\text{F}]\text{SFB}$

Column: Chromolith RP18, 100 \times 4.6 mm (Merck, Germany); Mobile Phase: 0.1% TFA in 50% MeOH, flow rate: 0.8 mL/min; UV: 254 nm, RT: 3.0 min. $[^{19}\text{F}]\text{SFB}$ nonradioactive reference standard was purchased from ABX Advanced Biochemicals.

Radionuclidic identity

Radionuclidic identity is confirmed by measuring the half-life of radiopharmaceutical doses and comparing it to the known half-life of fluorine-18 (109.77 min). Activities are measured using a Capintec CRC[®]-15R Radioisotope Dose Calibrator and half-life is calculated using Equation (1). Calculated half-life must be 105–115 min.

$$T_{1/2} = -\ln 2 (\text{Time Difference} / (\ln(\text{ending activity} / \text{starting activity}))) \quad (1)$$

Residual solvent analysis

Levels of residual solvents in doses were analyzed using a Shimadzu GC-2010 with an AOC-20 autoinjector, split/splitless inlet, a flame ionization detector (FID) and a Restek column (Stabilwax 30 m \times 0.25 mm, 0.25 m G16 stationary phase).

Radionuclidic purity

Radionuclidic purity is analyzed by gamma-ray spectrometry and doses from the University of Michigan are allowed to decay, and then sent out to a CRO (Dade Moeller and Associates, Gaithersburg, MD) to test for the presence of long-lived radioactive contaminants.

Sterile filter integrity test

Sterile filters from doses (with needle still attached) are connected to a nitrogen supply *via* a regulator. The needle is then submerged in water and the nitrogen pressure gradually increased. If the pressure is raised above the filter acceptance pressure (typically 50 psi) without seeing a stream of bubbles, the filter is considered intact.

Bacterial endotoxins

Endotoxin content in radiopharmaceutical doses is analyzed by a Charles River Laboratories EndoSafe[®] Portable Testing System and according to the US Pharmacopeia. Doses must contain < 175 EU.

Table 1. Typical quality control data

QC Test	Release criteria		FLT		FAZA	MPPF	FEOBV	NaF	Fluorochohline ^d	SFB ^d
	Method A		Method B							
<i>n</i>	N/A	5	25	25	25	28	10	10	7	20
Starting activity (mCi)	N/A	500	1550	1550	1550	1550	1550	120	1500	1000
Mean yield (mCi) @ EOS	N/A	115	65	75	75	136	146	115	75	380
% yield (Nondecay corrected)	N/A	23%	4.2%	4.8%	4.8%	8.8%	9.4%	95%	5%	38%
Specific activity (Ci/μmol)	N/A	17 329	4548	5225	5225	8075	4557	N/A	> 1000 ^e	> 1000 ^e
Appearance	Clear, colorless, free of particulates	Pass	Pass	Pass	Pass	Pass	Pass	Pass	Pass	Pass
PH	4.5–8.0	6.0	6.5	6.5	6.5	5.0	5.0	5.0	5.5	N/A
Residual kryptofix	< 50 μg/mL	< 50	< 10	< 10	< 10	< 10	< 10	N/A	< 10	N/A
Radiochemical purity	> 95% by HPLC	100%	99.5%	99.5%	99.5%	99.0%	98.5%	99.4%	99.7%	100%
Chemical purity ^a	N/A	100%	75%	100%	100%	94%	100%	100%	N/A	N/A
Radiochemical identity	RRT ^b = 0.9–1.1	1.0	1.0	1.0	1.0	1.0	1.0	1.0	1.0	N/A
Radiochemical identity	<i>T</i> _{1/2} = 105–115 min	108	108	108	108	108	110	107	106	N/A
Radiochemical identity	> 99%	> 99.9%	> 99.9%	> 99.9%	> 99.9%	> 99.9%	> 99.9%	> 99.9%	N/A	N/A
Residual solvent analysis	MeCN (< 410 μg/mL)	1.0	47.2	79.02	79.02	1.4	66	N/A	0	N/A
	DMSO (< 5000 μg/mL)	N/A	298	252.4	252.4	1.1	16	N/A	N/A	N/A
	Acetone (< 5000 μg/mL)	7.0	9.9	2.0	2.0	1.5	4.5	10	10	10
	THF (< 5000 μg/mL)	N/A	N/A	N/A	N/A	34.8	N/A	N/A	N/A	N/A
	MeOH (< 3000 μg/mL)	N/A	N/A	N/A	N/A	19.0	N/A	N/A	N/A	N/A
Filter integrity test	> 40 psi	> 50	> 50	> 50	> 50	> 40	> 50	> 50	> 50	N/A
Bacterial endotoxins	< 17.5 EU ^c /mL	< 2.00	< 2.00	< 2.00	< 2.00	< 2.00	< 2.00	< 2.00	< 2.00	N/A
Sterility	Sterile	Sterile	Sterile	Sterile	Sterile	Sterile	Sterile	Sterile	Sterile	N/A

^achemical purity normalized to 2 Ci/μmol.
^bRRT, relative retention time.
^cEU, endotoxin units.
^d[¹⁸F]fluorochohline and [¹⁸F]SFB are not subject to full QC testing as presently they are only made for preclinical application.
^eFor the preclinical work described in this study, no efforts were made to optimize specific activity of [¹⁸F]SFB.

Sterility

Culture tubes of fluid thioglycolate media (FTM) and soybean casein digest agar media (SCDM) are inoculated with samples of [¹⁸F]-labeled radiopharmaceutical doses and incubated (along with positive and negative controls) for 14 days. FTM is used to test for anaerobes, aerobes and microaerophiles while SCDM is used to test for nonfastidious and fastidious microorganisms. Culture tubes are visually inspected on the 3rd, 8th and 14th days of the test period and compared with the positive and negative standards. Positive standards must show growth (turbidity) on the plates and dose/negative controls must have no culture growth after 14 days to be indicative of sterility (Table 1).

Conclusions

In conclusion, the Tracerlab FX_{FN} has proven a versatile and efficient automated synthesis module in our hands. The results disclosed herein demonstrate that through simple incorporation of luer lock fittings, the synthesis module can be configured (and re-configured) in a straightforward manner to allow production of clinical doses of many different radiopharmaceuticals. As proof-of-concept, the production of each radiopharmaceutical discussed in this paper uses a different state-of-the-art radiochemical technique. Each synthesis has been fully automated and all radiopharmaceutical doses for clinical use meet and exceed established quality control criteria.

Acknowledgements

The University of Michigan Cyclotron and Radiochemistry Group gratefully acknowledges the Office of Biological Research (BER) of the Office of Science (SC), US Department of Energy (DE-FG02-08ER64645) and the National Institutes of Health (NIH NS15655) for financial support of this research, and Siemens Molecular Imaging and Biomarker Research for donation of a test sample of the Boc-Boc-Nosyl FLT precursor.

References

- [1] F. Wuest, M. Berndt, T. Kniess, *Ernst Schering Res. Found. Workshop* **2007**, 62, 182–213.
- [2] P. J. H. Scott, *Angew. Chem. Int. Ed.* **2009**, 48, 6001–6004.
- [3] P. W. Miller, N. J. Long, R. Vilar, A. D. Gee, *Angew. Chem. Int. Ed.* **2008**, 47, 8998–9033.
- [4] S. M. Ametamey, M. Honer, P. A. Schubiger, *Chem. Rev.* **2008**, 108, 1501–1516.
- [5] G. Antoni, B. Långström, in *Positron Emission Tomography* (Eds.: D. L. Bailey, D. W. Townsend, P. E. Valk, M. N. Maisey, Springer, London, **2003**, pp. 237–250.
- [6] L. Cai, S. Lu, V. W. Pike, *Eur. J. Org. Chem.* **2008**, 12, 2853–2873.
- [7] F. Dolle, D. Roeda, B. Kuhnast, M. C. Lasne, *Fluorine and Health* **2008**, 3–65.
- [8] R. Schirmacher, C. Wangler, E. Schirmacher, *Mini-Rev. Org. Chem.* **2007**, 4, 317–329.
- [9] M. R. Kilbourn, X. Shao, in *Fluorine in Medicinal Chemistry and Chemical Biology* (Ed.: I. Ojima), Wiley-Blackwell, Chichester, **2009**, 361–388.
- [10] B. Långström, O. Itsenko, O. Rahman, *J. Label. Compd. Radiopharm.* **2007**, 50, 794–810.
- [11] P. J. H. Scott, X. Shao, *J. Label. Compd. Radiopharm.* **2010**, 53, 586–591.
- [12] X. Shao, M. R. Kilbourn, *Appl. Radiat. Isot.* **2009**, 67, 602–605.
- [13] B. G. Hockley, P. J. H. Scott, *Appl. Radiat. Isot.* **2010**, 68, 117–119.
- [14] T. Mori, S. Kasamatsu, C. Mosdzianowski, M. J. Welch, Y. Yonekura, Y. Fujibayashi, *Nucl. Med. Biol.* **2006**, 33, 281–286.
- [15] D. Kryza, V. Tadino, M. A. Filannino, G. Villeret, L. Lemoucheux, *Nucl. Med. Biol.* **2008**, 35, 255–260.
- [16] P. Mäding, F. Füchtner, F. Wüst, *Appl. Radiat. Isot.* **2005**, 63, 329–332.
- [17] B. Teng, S. Wang, Z. Fu, Y. Dang, Z. Wu, L. Liu, *Appl. Radiat. Isot.* **2006**, 64, 187–193.
- [18] S. J. Oh, D. Y. Chi, C. Mosdzianowski, H. S. Kil, J. S. Ryu, D. H. Moon, *Appl. Radiat. Isot.* **2007**, 65, 676–681.
- [19] F. T. Chin, M. Namavari, J. Levi, M. Subbarayan, P. Ray, X. Chen, S. S. Gambhir, *Mol. Imaging Biol.* **2008**, 10, 82–91.
- [20] A. A. Wilson, A. Garcia, S. Houle, N. Vasdev, *J. Label. Compd. Radiopharm.* **2009**, 52, 490–492.
- [21] F. Lodi, S. Trespidi, D. D. Pierro, M. Marengo, M. Farsad, S. Fanti, R. Franchi, S. Boschi, *Appl. Radiat. Isot.* **2007**, 65, 691–695.
- [22] G. Tang, X. Tang, X. Wang, *J. Label. Compd. Radiopharm.* **2010**, 53, 543–547.
- [23] A. F. Shields, J. R. Grierson, B. M. Dohmen, H. J. Machulla, J. C. Stayanoff, J. M. Lawhorn-Crews, J. E. Obradovich, O. Muzik, T. J. Mangner, *Nat. Med.* **1998**, 4, 1334–1336.
- [24] L. B. Been, A. J. H. Suurmeijer, D. C. P. Cobben, P. L. Jager, H. J. Hoekstra, P. H. Elsinga, *Eur. J. Nucl. Med. Mol. Imaging* **2004**, 31, 1659–1672.
- [25] J. C. Walsh, H. C. Padgett, *U. S. Patent Appl. 2005131224* **2005**, 11 p.
- [26] S. J. Lee, S. J. Oh, D. Y. Chi, B. S. Lee, J. S. Ryu, D. H. Moon, *J. Label. Compd. Radiopharm.* **2008**, 51, 80–82.
- [27] S. J. Martin, J. A. Eisenbarth, U. Wagner-Utermann, W. Mier, M. Henze, H. Pritzkow, U. Haberkorn, M. Eisenhut, *Nucl. Med. Biol.* **2002**, 29, 263–273.
- [28] H. J. Machulla, A. Blocher, M. Kuntzsch, M. Piert, R. Wei, J. R. Grierson, *J. Radioanal. Nucl. Chem.* **2000**, 243, 843–846.
- [29] C. Wodarski, J. Eisenbarth, K. Weber, M. Henze, U. Haberkorn, M. Eisenhut, *J. Label. Compd. Radiopharm.* **2000**, 43, 1211–1218.
- [30] P. Kumar, L. I. Wiebe, M. Asikoglu, M. Tandon, A. J. B. McEwan, *Appl. Rad. Isot.* **2002**, 57, 697–703.
- [31] G. Reischl, W. Ehrlichmann, C. Bieg, C. Solbach, P. Kumar, L. I. Wiebe, H. J. Machulla, *Appl. Rad. Isot.* **2005**, 62, 897–901.
- [32] G. Reischl, D. S. Dorow, C. Cullinane, A. Katsifis, P. Roselt, D. Binns, R. J. Hicks, *J. Pharm. Pharm. Sci.* **2007**, 10, 203–211.
- [33] A.-L. Grosu, M. Souvatzoglou, B. Roeper, M. Dobritz, N. Wiedenmann, V. Jacob, H.-J. Wester, G. Reischl, H.-J. Machulla, M. Schwaiger, M. Molls, M. Piert, *Int. J. Radiat. Oncol. Biol. Phys.* **2007**, 69, 541–551.
- [34] R. Beck, B. Roeper, J. M. Carlsen, M. C. Huisman, J. A. Lebschi, N. Andratschke, M. Picchio, M. Souvatzoglou, H.-J. Machulla, M. Piert, *J. Nucl. Med.* **2007**, 48, 973–980.
- [35] M. Piert, H. J. Machulla, M. Picchio, G. Reischl, S. Ziegler, P. Kumar, H. J. Wester, R. Beck, A. J. B. McEwan, L. I. Wiebe, M. Schwaiger, *J. Nucl. Med.* **2005**, 46, 106–113.
- [36] V. W. Pike, C. Halldin, H. Wikstrom, *Prog. Med. Chem.* **2001**, 38, 189–247.
- [37] R. N. Krasikova, P. Truong, C. Halldin, *J. Label. Compd. Radiopharm.* **2003**, 46 (Suppl. 1), S244.
- [38] D. K. Maiti, P. K. Chakraborty, D. C. Chugani, O. Muzik, T. J. Mangner, H. T. Chugani, *Appl. Radiat. Isot.* **2005**, 62, 721–727.
- [39] J. A. McCarron, D. R. Turton, V. W. Pike, K. G. Poole, *J. Label. Compd. Radiopharm.* **1996**, 38, 941–953.
- [40] W. Wadsak, L. K. Mien, D. E. Ettliger, R. R. Lanzemberger, D. Haeusler, R. Dudczak, K. Kletter, M. Mitterhauser, *Radiochim. Acta* **2007**, 95, 417–422.
- [41] R. N. Krasikova, J. Andersson, P. Truong, S. Nag, E. V. Shchukin, C. Halldin, *Appl. Radiat. Isot.* **2009**, 67, 73–78.
- [42] N. Aznavour, L. Zimmer, *Neuropharmacology* **2007**, 52, 695–707.
- [43] Z. P. Zhuang, M. P. Kung, H. F. Kung, *J. Med. Chem.* **1994**, 37, 1406–1407.
- [44] C. Y. Shiue, G. G. Shiue, P. D. Mozley, M. P. Kung, Z. P. Zhuang, H. J. Kim, H. F. Kung, *Synapse* **1997**, 25, 147–154.
- [45] D. Le Bars, C. Lemaire, N. Ginovart, A. Plenevaux, J. Aerts, C. Brihaye, W. Hassoun, V. Leviel, P. Mekhsian, D. Weissmann, J. F. Pujol, A. Luxen, D. Comar, *Nucl. Med. Biol.* **1998**, 25, 343–350.
- [46] N. I. Bohnen, K. A. Frey, *Mol. Imag. Biol.* **2007**, 9, 243–257.
- [47] J. M. Candy, R. H. Perry, E. K. Perry, D. Irving, G. Blessed, A. F. Fairbairn, B. E. Tomlinson, *J. Neurol. Sci.* **1983**, 59, 277–289.
- [48] P. J. Whitehouse, J. C. Hedreen, C. L. White, D. L. Price, *Ann. Neurol.* **1986**, 13, 243–248.

- [49] E. C. Hirsch, A. M. Graybiel, C. Duyckaerts, F. Javoy-Agid, *Proc. Natl. Acad. Sci. USA* **1987**, *84*, 5976–5980.
- [50] B. A. Pappas, P. J. Bayley, B. K. Bui, L. A. Hansen, L. J. Thal, *Neurobiol. Aging* **2000**, *21*, 11–17.
- [51] D. S. Baskin, J. L. Browning, F. J. Pirozzolo, S. Korporaal, J. A. Baskin, S. H. Appel, *Arch. Neurol.* **1999**, *56*, 1121–1123.
- [52] C. A. Altar, M. R. Marien, *Synapse* **1988**, *2*, 486–493.
- [53] G. A. Rogers, S. M. Parsons, D. C. Anderson, L. M. Nilsson, B. A. Bahr, W. D. Kornreich, R. Kaufman, R. S. Jacobs, B. Kirtman, *J. Med. Chem.* **1989**, *32*, 1217–1230.
- [54] M. L. Gilmor, J. D. Erickson, H. Varoqui, L. B. Hersh, D. A. Bennett, E. J. Cochran, E. J. Mufson, A. I. Levey, *J. Comp. Neurol.* **1999**, *411*, 693–704.
- [55] D. E. Kuhl, R. A. Koeppe, J. A. Fessler, S. Minoshima, R. J. Ackermann, J. E. Carey, D. L. Gildersleeve, K. A. Frey, D. M. Wieland, *J. Nucl. Med.* **1994**, *35*, 405–410.
- [56] D. E. Kuhl, S. Minoshima, J. A. Fessler, K. A. Frey, N. L. Foster, E. P. Ficaro, D. M. Wieland, R. A. Koeppe, *Ann. Neurol.* **1996**, *40*, 399–410.
- [57] G. K. Mulholland, D. M. Wieland, M. R. Kilbourn, K. A. Frey, P. S. Sherman, J. E. Carey, D. E. Kuhl, *Synapse* **1998**, *30*, 263–274.
- [58] M. R. Kilbourn, B. Hockley, L. Lee, P. Sherman, C. Quesada, K. A. Frey, R. A. Koeppe, *Nucl. Med. Biol.* **2009**, *36*, 489–493.
- [59] P. Gould, *Nature* **2009**, *460*, 312–313.
- [60] M. Voith, *Chem. Eng. News* **2009**, *87*, 8.
- [61] H. Schirrmeister, M. Rentschler, J. Kotzerke, C. G. Diederichs, S. N. Reske, *RoFo: Fortschr. Geb. Rontgenstrahlen Nuklearmed.* **1998**, *168*, 451–456.
- [62] D. A. Weber, J. W. Jr Keyes, S. Landman, G. A. Wilson, *Am. J. Roentgenol. Radium. Ther. Nucl. Med.* **1974**, *121*, 184–190.
- [63] S. K. Nandy, M. G. R. Ragan, P. S. Soni, V. Rangarajan, *BARC Newslett.* **2007**, *281*, 16–23.
- [64] E. A. Dennis, D. E. Vance (Eds.), *Methods in Enzymology. Volume 209: Phospholipid Biosynthesis*, Academic Press Inc., San Diego, CA, **1992**, p. 584.
- [65] T. Hara, N. Kosaka, H. Kishi, *J. Nucl. Med.* **1998**, *39*, 990–995.
- [66] T. Hara, N. Kosaka, T. Kondo, H. Kishi, O. Kobori, *J. Nucl. Med.* **1997**, *38* (Suppl), 250.
- [67] T. R. DeGrado, R. E. Coleman, S. Wang, S. W. Baldwin, M. D. Orr, C. N. Robertson, T. J. Polascik, D. T. Price, *Cancer Res.* **2001**, *61*, 110–117.
- [68] T. R. DeGrado, S. W. Baldwin, S. Wang, M. D. Orr, R. P. Liao, H. S. Friedman, R. Reiman, D. T. Price, R. E. Coleman, *J. Nucl. Med.* **2001**, *42*, 1805–1814.
- [69] R. Iwata, C. Pascali, A. Bogni, S. Furumoto, K. Terasaki, K. Yanai, *Appl. Radiat. Isot.* **2002**, *57*, 347–352.
- [70] D. Slaets, S. De Bruyne, C. Dumolyn, L. Moerman, K. Mertens, F. De Vos, *Eur. J. Nucl. Med. Mol. Imaging* **2010**, *37*, 2136–2145.
- [71] G. Vaidyanathan, M. R. Zalutsky, *Nat. Prot.* **2006**, *1*, 1655–1661.
- [72] J. Marik, J. L. Sutcliffe, *Appl. Radiat. Isot.* **2007**, *65*, 199–203.
- [73] G. Tang, W. Zeng, M. Yu, G. Kabalka, *J. Label. Compd. Radiopharm.* **2008**, *51*, 68–71.
- [74] M. S. Haka, M. R. Kilbourn, G. L. Watkins, *J. Label. Compd. Radiopharm.* **1989**, *27*, 823–833.